

Description & Features

- Unique pressure instrument that combines pressure gauge and diaphragm seal to measure low pressure where protection is needed
- Bottom connection only
- All stainless steel construction
- A variety of wetted parts available

Application

- This instrument has a diaphragm that, under the process fluid pressure, acts directly on the movement.
- This type of instrument can detect the pressure of highly viscous or crystallizable or solidifiable fluids.



Specifications

Dial Size

4"(100mm) and 6"(150mm) aluminum

Pressure Range

Ranges included between - 16mbar and 25bar

Case / Ring Material

304stainless steel

Window

Glass for dry execution
Methacrylate for liquid filled execution
Tempering glass

Pointer

Aluminum black adjustable

Diaphragm

316 stainless steel

Wetted Parts

316 stainless steel

Movement

All stainless steel - Push rod /
connecting link and segment

Upper Flange

Stainless steel (neck and base movements)

Lower Flange and Connection

316 stainless steel (bottom movements)

Pressure Connection

G1/2B(½ Gas or BSP) or ½ - NPT EXT(½ NPT) thread
Flanged connection as per UNI/DIN and ASME standards
Flanged with through holes
Flanged with threaded blind or through holes

Protection

IP65

Process Temperature

176°F (80°C)

Ambient Temperature

-13°F to 140°F (-25°C to 60°C)

Accuracy

±1.6% full scale

Diaphragm Stop

Allows the diaphragm to withstand to overpressure
- 5 time full scale value with a maximum of
40bar for ranges within 0.6 and 2.5bar
- 10 time full scale value with a maximum of
2.5bar for ranges within 25 and 400 mbar

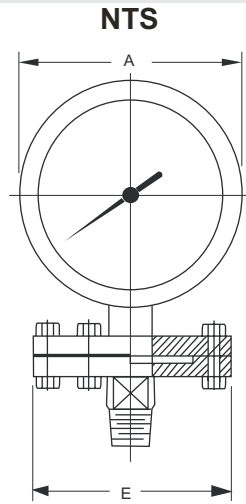
Option

Silicone fluid
316 stainless steel case
Safety glass lens
PTFE coated diaphragm
Maximum adjustable pointer
Other connection sizes available upon request
Monel 400, Hastelloy C, Titanium, Tantalum diaphragms

Order Information

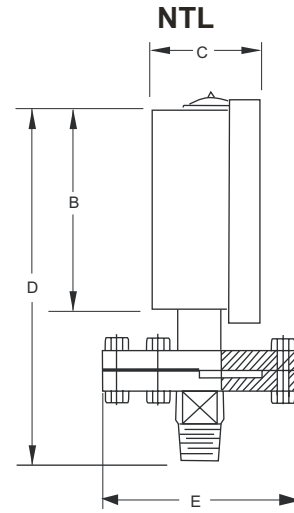
Series/ Dial Size/ Case Materials/ Wetted Parts/ Configuration/ Connection Size/ Thread/ Range/ Option

Dimensions



Pressure gauge with threaded connection - ranges included between 0.6 and 25bar

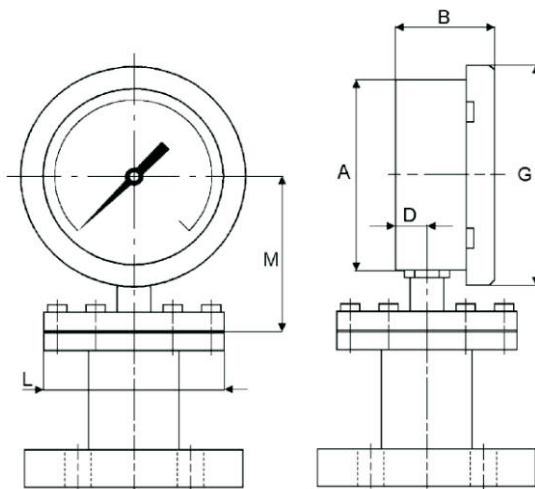
Case Dia.	Flange Dia.	A	B	C	D	E
4" 100 mm	4" 100 mm	4.43" 112	3.90" 99	2.16" 55	6.99" 177	3.74" 95
6" 150 mm	4" 100 mm	6.10" 155	5.51" 140	2.20" 56	6.99" 177	3.74" 95



Pressure gauge with threaded connection - ranges included between 16 and 400mbar

Case Dia.	Flange Dia.	A	B	C	D	E
4" 100 mm	6" 150 mm	4.43" 112	3.90" 99	2.16" 55	6.95" 177	5.906" 150
6" 150 mm	6" 150 mm	6.10" 155	5.51" 140	2.20" 56	6.99" 177	5.906" 150

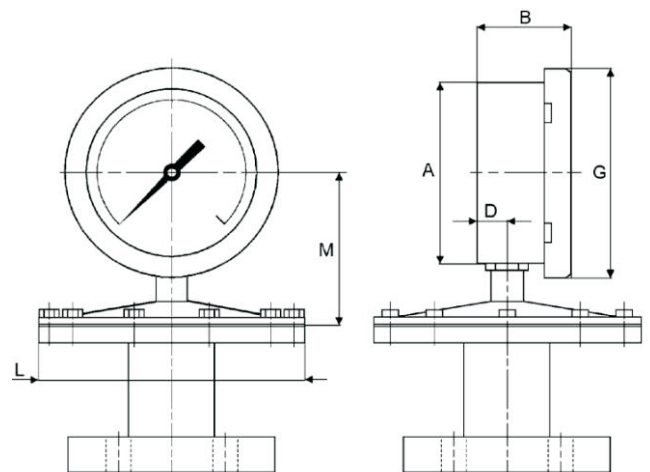
NDS



Pressure gauge with flanged connection, with fixing through holes - ranges included between 0.6 and 25bar

Dial Size	A	B	D	G	L	M
100	103	50	16.5	118	95	88
150	150	50	16.5	166	95	112

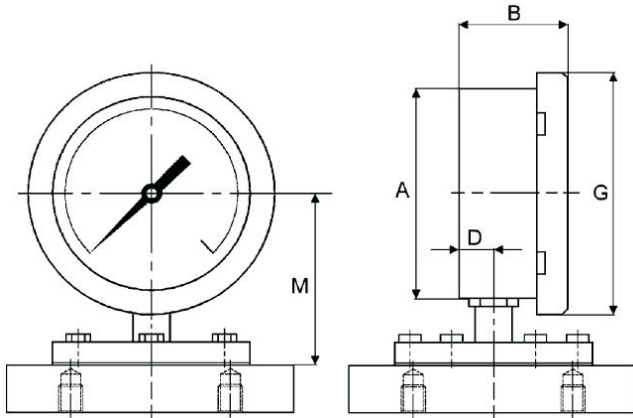
NDL



Pressure gauge with flanged connection, with fixing through holes - ranges included between 16 and 400mbar

Dial Size	A	B	D	G	L	M
100	103	50	16.5	118	150	93
150	150	50	16.5	166	150	117

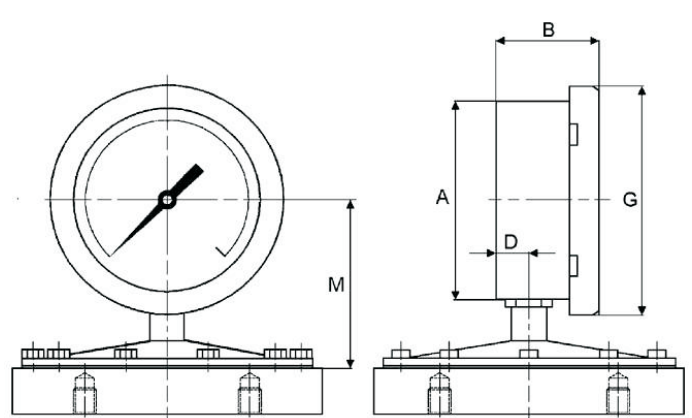
NFS



Pressure gauge with flanged connection, with fixing blind through holes - ranges included between 0.6 and 25bar

Dial Size	A	B	D	G	M
100	103	50	16.5	118	88
150	150	50	16.5	166	112

NFL



Pressure gauge with flanged connection, with fixing blind holes - ranges included between 16 and 400mbar

Dial Size	A	B	D	G	M
100	103	50	16.5	118	93
150	150	50	16.5	166	117

How to order

PSG - - - - - - -

Dial Size

4.0" (100mm) 4 0
6.0" (150mm) 6 0

Case Materials

304SS T
316SS S

Configuration

Bottom connection, stem mounting A

Connection Size

Thread N T
Double Flange N D
Single Flange N F

Diaphragm Materials

316 stainless steel S
316L stainless steel L
Hastelloy C H
Monel 400 M
Tantalum A
Titanium T
PTFE Coated P

Flanged / Thread Parts Materials

316SS S
316L SS L

Options

Blowout disk S B
Safety glass lens S A
Maximum adjustable pointer S J