

Description & Features

- High quality, heavy duty gauge ideal for corrosive environments
- Stainless steel liquid filled gauge (dry optional)
- 1/2"NPT bottom
- Stainless steel wetted parts
- Heavy duty movement and Bourdon Tube
- Restrictor screw standard

Applications

- Outdoor and severe ambient and process conditions
- Where harmful vibration and pulsation are present
- Designed to the specific needs of oil field equipment

Specifications

Dial Size

4" (100mm) white aluminum with black markings

Pressure Range

-1 to 20000 psi (-1 to 1380 bar)

Case Material

304 stainless steel

Lens Material

Safety glass standard; acrylic optional

Ring Material

304 stainless steel

Pointer

Aluminum, anodized black, micrometer adjustable

Socket

316L stainless steel, welded

Bourdon Tube

316L stainless steel, seamless drawn

Movement

304 stainless steel with over and under stops

Welding

TIG



Protection

IP 66 per UEC 529, UNI 8896

Connection

1/4", 1/2" NPT in NPT, BSP, BSPT / M20X1.5

Over-pressure Limit

30% for pressures up to 600 psi (4,147 kPa),
15% for pressures over 600 psi (4,147 kPa)

Working Pressure

Maximum 75% of full scale value

Ambient/Process Temperature

Dry: -40°F to 200°F (-40°C to 93°C)

Glycerin Filled: -4°F to 150°F (-20°C to 65°C)

Accuracy

±1.0% ANSI / ASME Grade 1A

Option

Glycerin filled

Silicone filled

Stabilizer™ movement

Acrylic lens

Safety glass

Calibration Certificate

Material Certificate

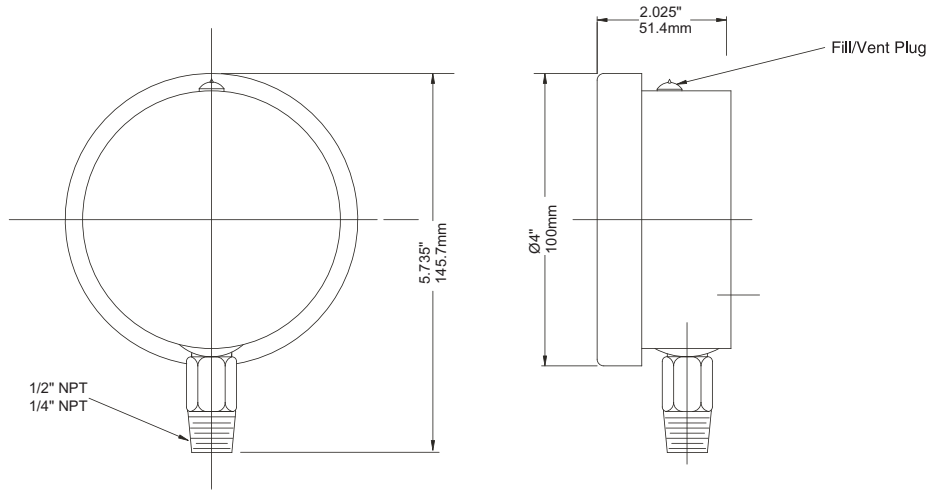
Safety glass + Glycerin filled

Safety glass + Silicone filled


Order Information

Series/ Dial Size/ Case Materials/ Wetted Parts/ Configuration/ Connection Size/ Thread/ Range/ Option

Dimensions



Ordering Code PXT Series

Field No.	Code	Specifications																																								
1.	PXT	Series																																								
		Dial Size																																								
2.	40	4.0" (100mm)																																								
		Case Materials																																								
3.	T	304 SS																																								
		Wetted Parts																																								
4.	S	316 SS																																								
	L	316L SS																																								
	Z	Special																																								
		Configuration																																								
5.	A	Bottom connection, stem mounting																																								
	Z	Special																																								
		A 																																								
		Connection																																								
6.	4	1/4"																																								
	2	1/2"																																								
	Z	Special																																								
		Thread																																								
7.	N	NPT																																								
	B	BSP (G)																																								
	T	BSPT (R)																																								
	M	M20X1.5																																								
	Z	Special																																								
8.		Range (XXXX)																																								
		Standard Ranges																																								
	MPa	<table border="1"> <tr> <td>-0.1/0</td> <td>-0.1/0.9</td> <td>0/0.1</td> <td>0/1</td> <td>0/10</td> <td>0/100</td> <td></td> <td></td> </tr> <tr> <td>-0.1/0.06</td> <td>-0.1/1.5</td> <td>0/0.16</td> <td>0/1.6</td> <td>0/16</td> <td>0/160</td> <td></td> <td></td> </tr> <tr> <td>-0.1/0.15</td> <td>-0.1/2.4</td> <td>0/0.25</td> <td>0/2.5</td> <td>0/25</td> <td></td> <td></td> <td></td> </tr> <tr> <td>-0.1/0.3</td> <td></td> <td>0/0.4</td> <td>0/4</td> <td>0/40</td> <td></td> <td></td> <td></td> </tr> <tr> <td>-0.1/0.5</td> <td></td> <td>0/0.6</td> <td>0/6</td> <td>0/60</td> <td></td> <td></td> <td></td> </tr> </table>	-0.1/0	-0.1/0.9	0/0.1	0/1	0/10	0/100			-0.1/0.06	-0.1/1.5	0/0.16	0/1.6	0/16	0/160			-0.1/0.15	-0.1/2.4	0/0.25	0/2.5	0/25				-0.1/0.3		0/0.4	0/4	0/40				-0.1/0.5		0/0.6	0/6	0/60			
-0.1/0	-0.1/0.9	0/0.1	0/1	0/10	0/100																																					
-0.1/0.06	-0.1/1.5	0/0.16	0/1.6	0/16	0/160																																					
-0.1/0.15	-0.1/2.4	0/0.25	0/2.5	0/25																																						
-0.1/0.3		0/0.4	0/4	0/40																																						
-0.1/0.5		0/0.6	0/6	0/60																																						
	bar	<table border="1"> <tr> <td>-1/0</td> <td>-1/9</td> <td></td> <td></td> <td>0/1</td> <td>0/10</td> <td>0/100</td> <td>0/1000</td> </tr> <tr> <td>-1/0.6</td> <td>-1/15</td> <td></td> <td></td> <td>0/1.6</td> <td>0/16</td> <td>0/160</td> <td>0/1600</td> </tr> <tr> <td>-1/1.5</td> <td>-1/24</td> <td></td> <td></td> <td>0/2.5</td> <td>0/25</td> <td>0/250</td> <td></td> </tr> <tr> <td>-1/3</td> <td></td> <td></td> <td></td> <td>0/4</td> <td>0/40</td> <td>0/400</td> <td></td> </tr> <tr> <td>-1/5</td> <td></td> <td></td> <td></td> <td>0/6</td> <td>0/60</td> <td>0/600</td> <td></td> </tr> </table>	-1/0	-1/9			0/1	0/10	0/100	0/1000	-1/0.6	-1/15			0/1.6	0/16	0/160	0/1600	-1/1.5	-1/24			0/2.5	0/25	0/250		-1/3				0/4	0/40	0/400		-1/5				0/6	0/60	0/600	
-1/0	-1/9			0/1	0/10	0/100	0/1000																																			
-1/0.6	-1/15			0/1.6	0/16	0/160	0/1600																																			
-1/1.5	-1/24			0/2.5	0/25	0/250																																				
-1/3				0/4	0/40	0/400																																				
-1/5				0/6	0/60	0/600																																				
	psi	<table border="1"> <tr> <td>30"/0</td> <td>30"/0/150</td> <td>0/15</td> <td>0/160</td> <td>0/800</td> <td>0/3000</td> <td>0/10000</td> <td></td> </tr> <tr> <td>30"/0/15</td> <td>30"/0/300</td> <td>0/30</td> <td>0/200</td> <td>0/1000</td> <td>0/4000</td> <td>0/15000</td> <td></td> </tr> <tr> <td>30"/0/30</td> <td>0/3</td> <td>0/60</td> <td>0/300</td> <td>0/1500</td> <td>0/5000</td> <td>0/20000</td> <td></td> </tr> <tr> <td>30"/0/60</td> <td>0/5</td> <td>0/100</td> <td>0/600</td> <td>0/2000</td> <td>0/6000</td> <td></td> <td></td> </tr> <tr> <td>30"/0/100</td> <td>0/10</td> <td></td> <td></td> <td></td> <td></td> <td></td> <td></td> </tr> </table>	30"/0	30"/0/150	0/15	0/160	0/800	0/3000	0/10000		30"/0/15	30"/0/300	0/30	0/200	0/1000	0/4000	0/15000		30"/0/30	0/3	0/60	0/300	0/1500	0/5000	0/20000		30"/0/60	0/5	0/100	0/600	0/2000	0/6000			30"/0/100	0/10						
30"/0	30"/0/150	0/15	0/160	0/800	0/3000	0/10000																																				
30"/0/15	30"/0/300	0/30	0/200	0/1000	0/4000	0/15000																																				
30"/0/30	0/3	0/60	0/300	0/1500	0/5000	0/20000																																				
30"/0/60	0/5	0/100	0/600	0/2000	0/6000																																					
30"/0/100	0/10																																									
	kg/cm²	<table border="1"> <tr> <td>-1/0</td> <td>-1/9</td> <td>0/1</td> <td>0/10</td> <td>0/100</td> <td></td> <td></td> <td></td> </tr> <tr> <td>-1/0.6</td> <td>-1/15</td> <td>0/1.6</td> <td>0/16</td> <td>0/160</td> <td></td> <td></td> <td></td> </tr> <tr> <td>-1/1.5</td> <td>-1/24</td> <td>0/2.5</td> <td>0/25</td> <td>0/250</td> <td></td> <td></td> <td></td> </tr> <tr> <td>-1/3</td> <td></td> <td>0/4</td> <td>0/40</td> <td>0/400</td> <td></td> <td></td> <td></td> </tr> <tr> <td>-1/5</td> <td></td> <td>0/6</td> <td>0/60</td> <td>0/600</td> <td></td> <td></td> <td></td> </tr> </table>	-1/0	-1/9	0/1	0/10	0/100				-1/0.6	-1/15	0/1.6	0/16	0/160				-1/1.5	-1/24	0/2.5	0/25	0/250				-1/3		0/4	0/40	0/400				-1/5		0/6	0/60	0/600			
-1/0	-1/9	0/1	0/10	0/100																																						
-1/0.6	-1/15	0/1.6	0/16	0/160																																						
-1/1.5	-1/24	0/2.5	0/25	0/250																																						
-1/3		0/4	0/40	0/400																																						
-1/5		0/6	0/60	0/600																																						
	kPa	<table border="1"> <tr> <td>-100/0</td> <td>-100/900</td> <td></td> <td></td> <td>0/100</td> <td>0/1000</td> <td></td> <td></td> </tr> <tr> <td>-100/60</td> <td>-100/1500</td> <td></td> <td></td> <td>0/160</td> <td>0/1600</td> <td></td> <td></td> </tr> <tr> <td>-100/150</td> <td>-100/2400</td> <td></td> <td></td> <td>0/250</td> <td>0/2500</td> <td></td> <td></td> </tr> <tr> <td>-100/300</td> <td></td> <td></td> <td></td> <td>0/400</td> <td>0/4000</td> <td></td> <td></td> </tr> <tr> <td>-100/500</td> <td></td> <td></td> <td></td> <td>0/600</td> <td>0/6000</td> <td></td> <td></td> </tr> </table>	-100/0	-100/900			0/100	0/1000			-100/60	-100/1500			0/160	0/1600			-100/150	-100/2400			0/250	0/2500			-100/300				0/400	0/4000			-100/500				0/600	0/6000		
-100/0	-100/900			0/100	0/1000																																					
-100/60	-100/1500			0/160	0/1600																																					
-100/150	-100/2400			0/250	0/2500																																					
-100/300				0/400	0/4000																																					
-100/500				0/600	0/6000																																					

Continued on the following page

Continued from the previous page

Ordering Code PXT Series

Field No.	Code	Specifications
9.		Options
	SE	Glycerin filled
	SD	Silicone filled
	S3	Stabilizer movement
	SV	Acrylic lens
	SA	Safety glass
	SO	Calibration Certificate
	GH	Material Certificate
	DK	Safety glass + Glycerin filled
	DL	Safety glass + Silicone filled