

PCC Colour Coded Gauge

Description & Features

- Unique pressure instrument utilizing colour coded cases for easy identification of processes
- 4 different colours that are UV resistant and will not fade or breakdown in any corrosive environment
- Stainless steel or brass internals and liquid fillable

Applications

- Used for easy identification of process or pressure
- Well suited for use where heavy vibration or pulsation exist
- Used on machinery, process lines, compressors, hydraulics



Specifications

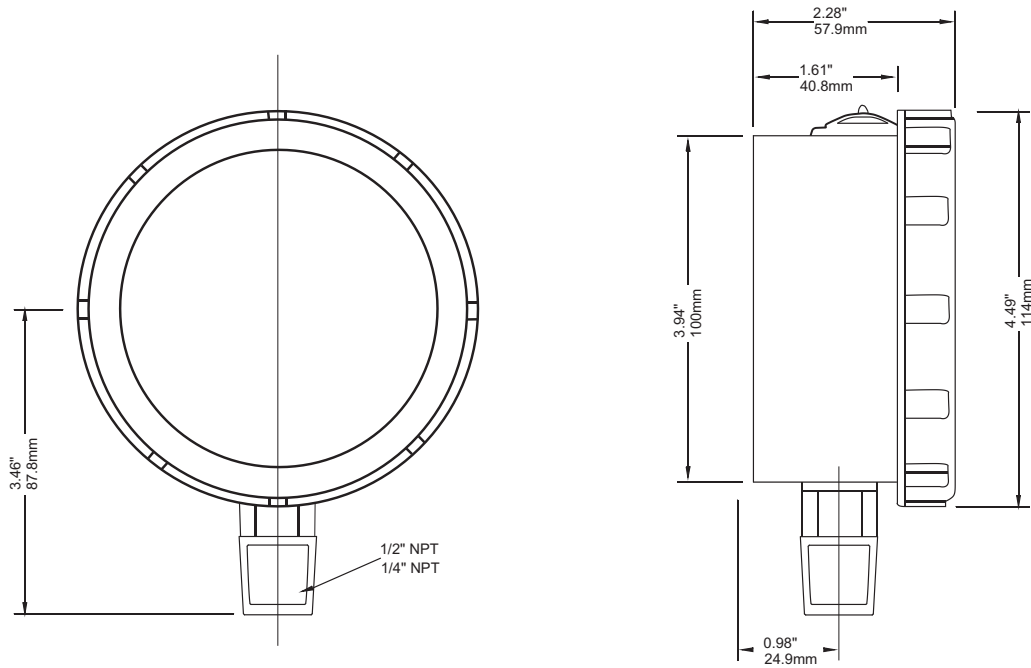
	Stainless Steel Internals	Brass Internals
Dial Size	4"(100mm) white aluminum	4"(100mm) white aluminum
Pressure Range	From vacuum to 0...20000 psi (0...1380 bar)	From vacuum to 0-20000 psi (0-1380 bar)
Case Material	P.B.T. (Polybutylene Terephthalate) - color coded	P.B.T. (Polybutylene Terephthalate) - color coded
Lens Material	Polycarbonate	Polycarbonate
Ring Material	PBT Polyethylene terephthalate - colour coded	PBT Polyethylene terephthalate - colour coded
Pointer	Aluminum black adjustable	Aluminum black adjustable
Bourdon Tube	316L stainless steel	Phosphor bronze
Movement	304 stainless steel	304 stainless steel, Brass
Socket Material	316L stainless steel	Brass
Connection	1/4", 1/2" NPT in NPT, BSP, BSPT / M20X1.5	1/4", 3/8", 1/2" NPT in NPT, BSP, BSPT / M20X1.5
Fill Liquid	Glycerin, silicone oil	Glycerin, silicone and fluorolube optional
Protection	IP 65	IP 65
Working Pressure	Maximum 75% of full scale value	Maximum 75% of full scale value
Over-pressure Limit	30% for pressures up to 600 psi (4,147 kPa) 15% for pressures over 600 psi (4,147 kPa)	25% for pressures up to 1400 psi (9,653 kPa) 15% for pressures over 1400 psi (9,653 kPa)
Ambient/Process Temperature	Dry: -40°F to 200°F (-40°C to 93°C) Glycerin Filled: -40°F to 150°F (-40°C to 65°C)	Dry: -40°F to 200°F (-40°C to 93°C) Glycerin Filled: -40°F to 150°F (-40°C to 65°C)
Welding	TIG, Silver alloy	Tin/copper alloy for pressures below 600 psi (4,147 kPa). Silver alloy for pressures 600 psi (4,147 kPa) and above
Accuracy	±1.0% ANSI / ASME Grade 1A	±1.0% ANSI / ASME Grade 1A
Options	Safety Glass Lens Available colors - Black, Red, Yellow, Blue Glycerine, Silicone filled Other connection sizes available upon request	Safety Glass Lens Available colors - Black, Red, Yellow, Blue Glycerine, Silicone filled Other connection sizes available upon request

Order Information

Series/ Dial Size/ Case Materials/ Wetted Parts/ Configuration/ Connection Size/ Thread/ Range/ Option


Dimensions

4" Bottom Connection



PCC Colour Coded Gauge

Ordering Code PCC Series

Field No.	Code	Specifications																																																																																																																																																																																																														
1.	PCC	Series																																																																																																																																																																																																														
		Dial Size																																																																																																																																																																																																														
2.	40	4.0" (100mm)																																																																																																																																																																																																														
		Case Materials																																																																																																																																																																																																														
3.	U	P.B.T. (Polybutylene Terephthalate) - colour coded																																																																																																																																																																																																														
		Wetted Parts																																																																																																																																																																																																														
4.	L	316L SS																																																																																																																																																																																																														
	B	Brass																																																																																																																																																																																																														
	Z	Special																																																																																																																																																																																																														
		Configuration																																																																																																																																																																																																														
5.	A	Bottom connection, stem mounting																																																																																																																																																																																																														
																																																																																																																																																																																																																
		Connection																																																																																																																																																																																																														
6.	4	1/4"																																																																																																																																																																																																														
	2	1/2"																																																																																																																																																																																																														
		Thread																																																																																																																																																																																																														
7.	N	NPT																																																																																																																																																																																																														
	B	BSP (G)																																																																																																																																																																																																														
	T	BSPT (R)																																																																																																																																																																																																														
	M	M20X1.5																																																																																																																																																																																																														
	Z	Special																																																																																																																																																																																																														
8.		Range (XXXX)																																																																																																																																																																																																														
		Standard Ranges																																																																																																																																																																																																														
		<table border="1"> <thead> <tr> <th></th> <th>-0.1/0</th> <th>-0.1/0.9</th> <th>0/0.1</th> <th>0/1</th> <th>0/10</th> <th>0/100</th> <th></th> <th></th> </tr> </thead> <tbody> <tr> <td rowspan="4">MPa</td> <td>-0.1/0.06</td> <td>-0.1/1.5</td> <td>0/0.16</td> <td>0/1.6</td> <td>0/16</td> <td>0/160</td> <td></td> <td></td> </tr> <tr> <td>-0.1/0.15</td> <td>-0.1/2.4</td> <td>0/0.25</td> <td>0/2.5</td> <td>0/25</td> <td></td> <td></td> <td></td> </tr> <tr> <td>-0.1/0.3</td> <td></td> <td>0/0.4</td> <td>0/4</td> <td>0/40</td> <td></td> <td></td> <td></td> </tr> <tr> <td>-0.1/0.5</td> <td></td> <td>0/0.6</td> <td>0/6</td> <td>0/60</td> <td></td> <td></td> <td></td> </tr> <tr> <td rowspan="5">bar</td> <td>-1/0</td> <td>-1/9</td> <td></td> <td></td> <td>0/1</td> <td>0/10</td> <td>0/100</td> <td>0/1000</td> </tr> <tr> <td>-1/0.6</td> <td>-1/15</td> <td></td> <td></td> <td>0/1.6</td> <td>0/16</td> <td>0/160</td> <td>0/1600</td> </tr> <tr> <td>-1/1.5</td> <td>-1/24</td> <td></td> <td></td> <td>0/2.5</td> <td>0/25</td> <td>0/250</td> <td></td> </tr> <tr> <td>-1/3</td> <td></td> <td></td> <td></td> <td>0/4</td> <td>0/40</td> <td>0/400</td> <td></td> </tr> <tr> <td>-1/5</td> <td></td> <td></td> <td></td> <td>0/6</td> <td>0/60</td> <td>0/600</td> <td></td> </tr> <tr> <td rowspan="5">psi</td> <td>30"/0</td> <td>30"/0/150</td> <td>0/15</td> <td>0/160</td> <td>0/800</td> <td>0/3000</td> <td>0/10000</td> <td></td> </tr> <tr> <td>30"/0/15</td> <td>30"/0/300</td> <td>0/30</td> <td>0/200</td> <td>0/1000</td> <td>0/4000</td> <td>0/15000</td> <td></td> </tr> <tr> <td>30"/0/30</td> <td></td> <td>0/60</td> <td>0/300</td> <td>0/1500</td> <td>0/5000</td> <td>0/20000</td> <td></td> </tr> <tr> <td>30"/0/60</td> <td></td> <td>0/100</td> <td>0/600</td> <td>0/2000</td> <td>0/6000</td> <td></td> <td></td> </tr> <tr> <td>30"/0/100</td> <td></td> <td></td> <td></td> <td></td> <td></td> <td></td> <td></td> </tr> <tr> <td rowspan="5">kg/cm²</td> <td>-1/0</td> <td>-1/9</td> <td>0/1</td> <td>0/10</td> <td>0/100</td> <td></td> <td></td> <td></td> </tr> <tr> <td>-1/0.6</td> <td>-1/15</td> <td>0/1.6</td> <td>0/16</td> <td>0/160</td> <td></td> <td></td> <td></td> </tr> <tr> <td>-1/1.5</td> <td>-1/24</td> <td>0/2.5</td> <td>0/25</td> <td>0/250</td> <td></td> <td></td> <td></td> </tr> <tr> <td>-1/3</td> <td></td> <td>0/4</td> <td>0/40</td> <td>0/400</td> <td></td> <td></td> <td></td> </tr> <tr> <td>-1/5</td> <td></td> <td>0/6</td> <td>0/60</td> <td>0/600</td> <td></td> <td></td> <td></td> </tr> <tr> <td rowspan="5">kPa</td> <td>-100/0</td> <td>-100/900</td> <td></td> <td></td> <td>0/100</td> <td>0/1000</td> <td></td> <td></td> </tr> <tr> <td>-100/60</td> <td>-100/1500</td> <td></td> <td></td> <td>0/160</td> <td>0/1600</td> <td></td> <td></td> </tr> <tr> <td>-100/150</td> <td>-100/2400</td> <td></td> <td></td> <td>0/250</td> <td>0/2500</td> <td></td> <td></td> </tr> <tr> <td>-100/300</td> <td></td> <td></td> <td></td> <td>0/400</td> <td>0/4000</td> <td></td> <td></td> </tr> <tr> <td>-100/500</td> <td></td> <td></td> <td></td> <td>0/600</td> <td>0/6000</td> <td></td> <td></td> </tr> </tbody> </table>		-0.1/0	-0.1/0.9	0/0.1	0/1	0/10	0/100			MPa	-0.1/0.06	-0.1/1.5	0/0.16	0/1.6	0/16	0/160			-0.1/0.15	-0.1/2.4	0/0.25	0/2.5	0/25				-0.1/0.3		0/0.4	0/4	0/40				-0.1/0.5		0/0.6	0/6	0/60				bar	-1/0	-1/9			0/1	0/10	0/100	0/1000	-1/0.6	-1/15			0/1.6	0/16	0/160	0/1600	-1/1.5	-1/24			0/2.5	0/25	0/250		-1/3				0/4	0/40	0/400		-1/5				0/6	0/60	0/600		psi	30"/0	30"/0/150	0/15	0/160	0/800	0/3000	0/10000		30"/0/15	30"/0/300	0/30	0/200	0/1000	0/4000	0/15000		30"/0/30		0/60	0/300	0/1500	0/5000	0/20000		30"/0/60		0/100	0/600	0/2000	0/6000			30"/0/100								kg/cm ²	-1/0	-1/9	0/1	0/10	0/100				-1/0.6	-1/15	0/1.6	0/16	0/160				-1/1.5	-1/24	0/2.5	0/25	0/250				-1/3		0/4	0/40	0/400				-1/5		0/6	0/60	0/600				kPa	-100/0	-100/900			0/100	0/1000			-100/60	-100/1500			0/160	0/1600			-100/150	-100/2400			0/250	0/2500			-100/300				0/400	0/4000			-100/500				0/600	0/6000		
	-0.1/0	-0.1/0.9	0/0.1	0/1	0/10	0/100																																																																																																																																																																																																										
MPa	-0.1/0.06	-0.1/1.5	0/0.16	0/1.6	0/16	0/160																																																																																																																																																																																																										
	-0.1/0.15	-0.1/2.4	0/0.25	0/2.5	0/25																																																																																																																																																																																																											
	-0.1/0.3		0/0.4	0/4	0/40																																																																																																																																																																																																											
	-0.1/0.5		0/0.6	0/6	0/60																																																																																																																																																																																																											
bar	-1/0	-1/9			0/1	0/10	0/100	0/1000																																																																																																																																																																																																								
	-1/0.6	-1/15			0/1.6	0/16	0/160	0/1600																																																																																																																																																																																																								
	-1/1.5	-1/24			0/2.5	0/25	0/250																																																																																																																																																																																																									
	-1/3				0/4	0/40	0/400																																																																																																																																																																																																									
	-1/5				0/6	0/60	0/600																																																																																																																																																																																																									
psi	30"/0	30"/0/150	0/15	0/160	0/800	0/3000	0/10000																																																																																																																																																																																																									
	30"/0/15	30"/0/300	0/30	0/200	0/1000	0/4000	0/15000																																																																																																																																																																																																									
	30"/0/30		0/60	0/300	0/1500	0/5000	0/20000																																																																																																																																																																																																									
	30"/0/60		0/100	0/600	0/2000	0/6000																																																																																																																																																																																																										
	30"/0/100																																																																																																																																																																																																															
kg/cm ²	-1/0	-1/9	0/1	0/10	0/100																																																																																																																																																																																																											
	-1/0.6	-1/15	0/1.6	0/16	0/160																																																																																																																																																																																																											
	-1/1.5	-1/24	0/2.5	0/25	0/250																																																																																																																																																																																																											
	-1/3		0/4	0/40	0/400																																																																																																																																																																																																											
	-1/5		0/6	0/60	0/600																																																																																																																																																																																																											
kPa	-100/0	-100/900			0/100	0/1000																																																																																																																																																																																																										
	-100/60	-100/1500			0/160	0/1600																																																																																																																																																																																																										
	-100/150	-100/2400			0/250	0/2500																																																																																																																																																																																																										
	-100/300				0/400	0/4000																																																																																																																																																																																																										
	-100/500				0/600	0/6000																																																																																																																																																																																																										
		Options																																																																																																																																																																																																														
9.	SE	Glycerin filled																																																																																																																																																																																																														
	SD	Silicone filled																																																																																																																																																																																																														
	SA	Safety glass																																																																																																																																																																																																														