

Description & Features

- Heavy duty highly accurate aluminum case
- 1.0% accuracy
- Stainless steel or brass internals
- Large easy to read dial

Applications

- Use on air, steam, oil, fresh and salt water
- Boiler and control room

Specifications



	Brass Internals
Dial Size	4.5"(115mm), 6"(150mm), 8.5"(215mm) and 10"(250mm) white aluminum
Pressure Range	From Vacuum to 0-20000psi (0-1380bar)
Case Material	Aluminum painted black
Lens Material	4.5"(115mm) and 6"(150mm) - glass 8.5"(215mm) and 10"(250mm) - polycarbonate
Ring Material	4.5"(115mm) and 6"(150mm) - stainless steel, polished 8.5"(215mm) and 10"(250 mm) - anodized aluminum
Pointer	Aluminum black adjustable
Bourdon Tube	Phosphor bronze for ranges up to 600 psi (41 bar) 316L SS for ranges over 600 psi (41 bar)
Movement	Brass
Socket Material	Brass
Connection	1/4", 1/2", 3/8" in NPT,BSP, BSPT / M20X1.5
Protection	IP 52
Working Pressure	Maximum 75% of full scale value
Over-pressure Limit	30% for pressures up to 600 psi (41 bar) 25% for pressures over 600...1400 psi (41...96 bar) 15% for pressures over 1400 psi (96 bar)
Ambient/Process Temperature	-40°F to 150°F (-40°C to 65°C)
Front Flange	4.5"(115mm) and 6"(150mm) - stainless steel, polished 8.5"(215mm) and 10"(250mm) - aluminum painted black
Back Flange	8.5" (215mm), 10" (250mm): Aluminum, painted black 4.5" (115mm), 6" (150mm): Steel painted black (optional)
Accuracy	±1.0% ANSI/ASME Grade 1A
Welding	Tin/copper alloy for ranges up to 600 psi (40 bar) Silver alloy for ranges over 600 psi (40 bar)
Options	Calibration Certificate

Stainless Steel Internals

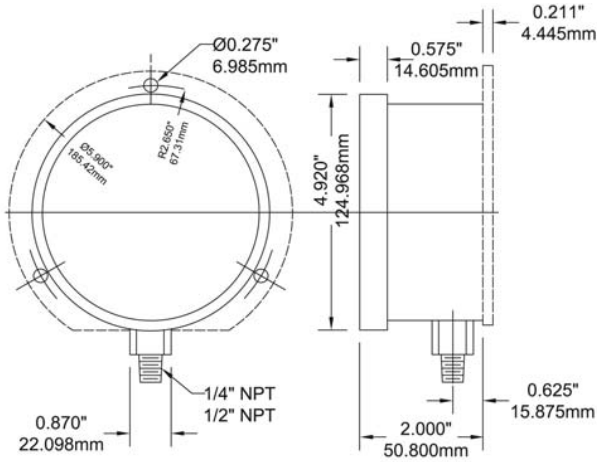
Dial Size	4.5"(115mm), 6"(150mm), 8.5"(215mm) and 10"(250mm) white aluminum
Pressure Range	From Vacuum to 0-20000psi (0-1380bar)
Case Material	Aluminum painted black
Lens Material	4.5"(115mm) and 6"(150mm) - glass 8.5"(200mm) and 10"(250mm) - polycarbonate
Ring Material	4.5"(115mm) and 6"(150mm) - stainless steel, polished 8.5"(215mm) and 10"(250 mm) - anodized aluminum
Pointer	Aluminum black adjustable
Bourdon Tube	316L SS
Movement	304 SS
Socket Material	316L SS
Connection	1/4", 1/2", 3/8" in NPT,BSP, BSPT / M20X1.5
Protection	IP 52
Working Pressure	Maximum 75% of full scale value
Over-pressure Limit	30% for pressures up to 600 psi (41 bar) 25% for pressures over 600...1400 psi (41...96 bar) 15% for pressures over 1400 psi (96 bar)
Ambient/Process Temperature	-40°F to 150°F (-40°C to 65°C)
Front Flange	4.5"(115mm) and 6"(150mm) - stainless steel, polished 8.5"(215mm) and 10"(250mm) - aluminum painted black
Back Flange	8.5" (215mm), 10" (250mm): Aluminum, painted black 4.5" (115mm), 6" (150mm): Steel painted black (optional)
Accuracy	±1.0% ANSI/ASME Grade 1A
Welding	316L SS TIG Argonarc
Options	Calibration Certificate

Order Information

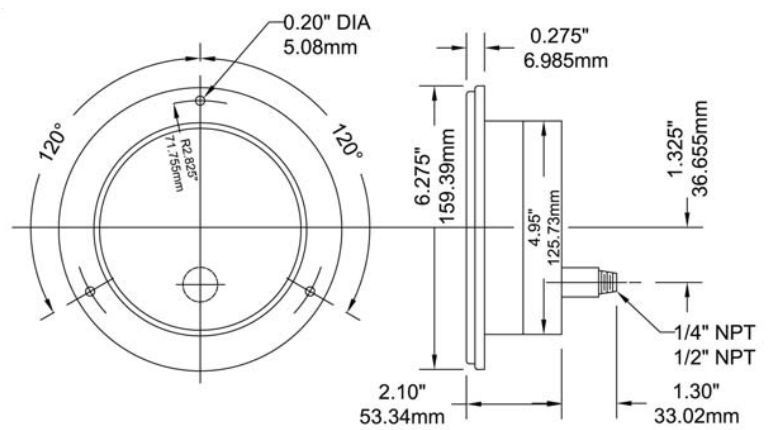
Series/ Dial Size/ Case Materials/ Wetted Parts/ Configuration/ Connection Size/ Thread/ Range/ Option

Dimensions

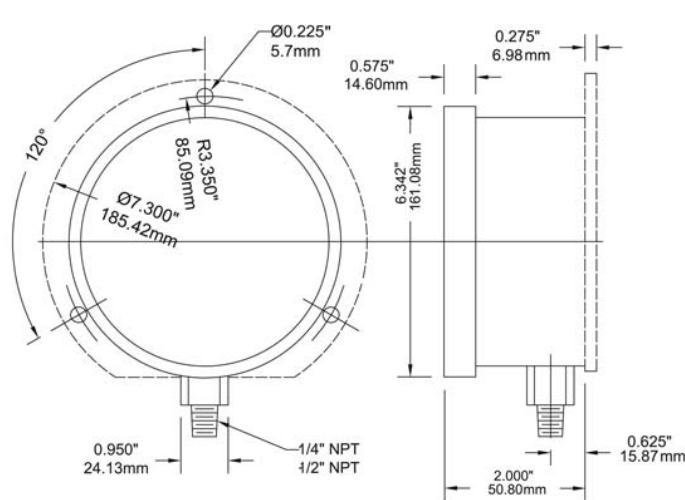
4.5" Bottom Connection with Back Flange Option



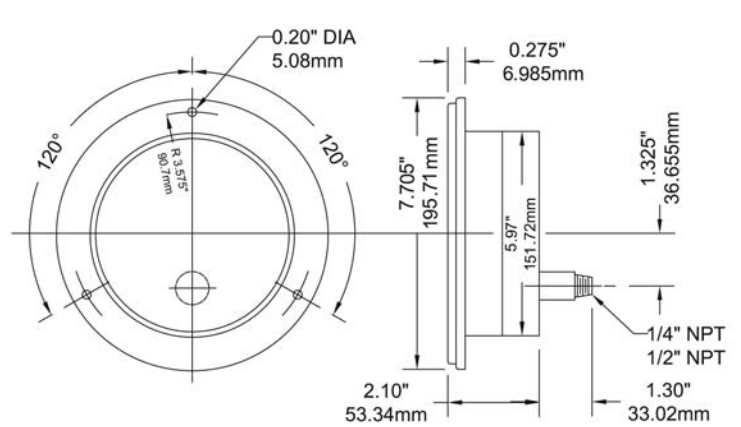
4.5" Back Connection with Standard Front Flange



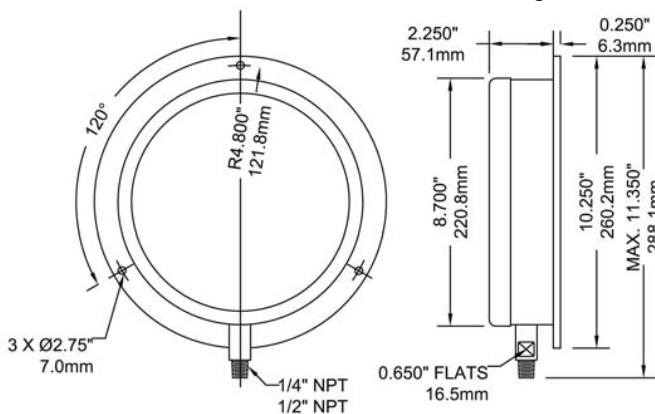
6" Bottom Connection with Back Flange Option



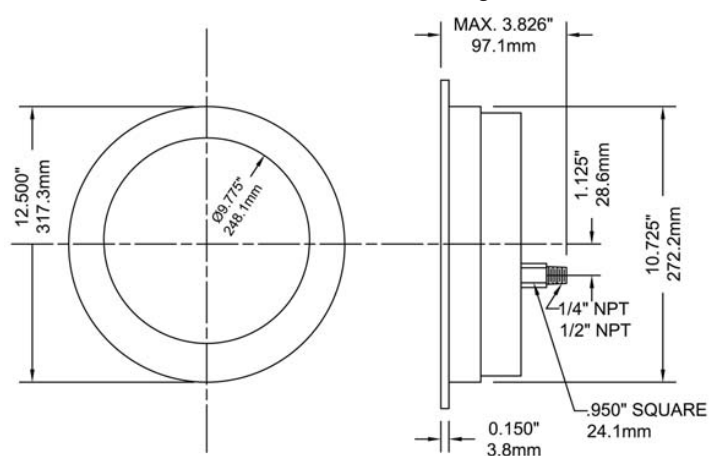
6" Back Connection with Standard Front Flange



8.5" Bottom Connection with Standard Back Flange



10" Back Connection with Standard Front Flange



Ordering Code P3S Series

Field No.	Code	Specifications																																								
1.	P3S	Series																																								
Dial Size																																										
2.	45	4.5" (115mm)																																								
	60	6.0" (150mm)																																								
	85	8.5" (215mm)																																								
	90	10" (250mm)																																								
Case Materials																																										
3.	J	Aluminum																																								
Ring																																										
4.	25	Anodized aluminum																																								
	40	SS polish																																								
Wetted Parts																																										
5.	S	316 SS																																								
	L	316L SS																																								
	B	Brass																																								
	Z	Special																																								
Configuration																																										
6.	A	Bottom connection, stem mounting																																								
	B	Bottom connection, back flange, surface mounting																																								
	D	Back connection, stem mounting																																								
	F	Back connection, wide front flange, (drilled) panel mounting																																								
	Z	Special																																								
7.	4	1/4"																																								
	3	3/8"																																								
	2	1/2"																																								
	Z	Special																																								
Thread																																										
8.	N	NPT																																								
	B	BSP (G)																																								
	T	BSPT (R)																																								
	M	M20X1.5																																								
	Z	Special																																								
9.		Range (XXXX)																																								
Standard Ranges																																										
	MPa	<table border="1"> <tr> <td>-0.1/0</td> <td>-0.1/0.9</td> <td>0/0.1</td> <td>0/1</td> <td>0/10</td> <td>0/100</td> <td></td> <td></td> </tr> <tr> <td>-0.1/0.06</td> <td>-0.1/1.5</td> <td>0/0.16</td> <td>0/1.6</td> <td>0/16</td> <td></td> <td></td> <td></td> </tr> <tr> <td>-0.1/0.15</td> <td>-0.1/2.4</td> <td>0/0.25</td> <td>0/2.5</td> <td>0/25</td> <td></td> <td></td> <td></td> </tr> <tr> <td>-0.1/0.3</td> <td></td> <td>0/0.4</td> <td>0/4</td> <td>0/40</td> <td></td> <td></td> <td></td> </tr> <tr> <td>-0.1/0.5</td> <td></td> <td>0/0.6</td> <td>0/6</td> <td>0/60</td> <td></td> <td></td> <td></td> </tr> </table>	-0.1/0	-0.1/0.9	0/0.1	0/1	0/10	0/100			-0.1/0.06	-0.1/1.5	0/0.16	0/1.6	0/16				-0.1/0.15	-0.1/2.4	0/0.25	0/2.5	0/25				-0.1/0.3		0/0.4	0/4	0/40				-0.1/0.5		0/0.6	0/6	0/60			
-0.1/0	-0.1/0.9	0/0.1	0/1	0/10	0/100																																					
-0.1/0.06	-0.1/1.5	0/0.16	0/1.6	0/16																																						
-0.1/0.15	-0.1/2.4	0/0.25	0/2.5	0/25																																						
-0.1/0.3		0/0.4	0/4	0/40																																						
-0.1/0.5		0/0.6	0/6	0/60																																						
	bar	<table border="1"> <tr> <td>-1/0</td> <td>-1/9</td> <td></td> <td></td> <td>0/1</td> <td>0/10</td> <td>0/100</td> <td>0/1000</td> </tr> <tr> <td>-1/0.6</td> <td>-1/15</td> <td></td> <td></td> <td>0/1.6</td> <td>0/16</td> <td>0/160</td> <td></td> </tr> <tr> <td>-1/1.5</td> <td>-1/24</td> <td></td> <td></td> <td>0/2.5</td> <td>0/25</td> <td>0/250</td> <td></td> </tr> <tr> <td>-1/3</td> <td></td> <td></td> <td></td> <td>0/4</td> <td>0/40</td> <td>0/400</td> <td></td> </tr> <tr> <td>-1/5</td> <td></td> <td></td> <td></td> <td>0/6</td> <td>0/60</td> <td>0/600</td> <td></td> </tr> </table>	-1/0	-1/9			0/1	0/10	0/100	0/1000	-1/0.6	-1/15			0/1.6	0/16	0/160		-1/1.5	-1/24			0/2.5	0/25	0/250		-1/3				0/4	0/40	0/400		-1/5				0/6	0/60	0/600	
-1/0	-1/9			0/1	0/10	0/100	0/1000																																			
-1/0.6	-1/15			0/1.6	0/16	0/160																																				
-1/1.5	-1/24			0/2.5	0/25	0/250																																				
-1/3				0/4	0/40	0/400																																				
-1/5				0/6	0/60	0/600																																				
	psi	<table border="1"> <tr> <td>30"/0</td> <td>30"/0/160</td> <td>0/15</td> <td>0/160</td> <td>0/600</td> <td>0/3000</td> <td>0/20000</td> <td></td> </tr> <tr> <td>30"/0/15</td> <td>30"/0/200</td> <td>0/30</td> <td>0/200</td> <td>0/1000</td> <td>0/5000</td> <td></td> <td></td> </tr> <tr> <td>30"/0/30</td> <td>30"/0/300</td> <td>0/60</td> <td>0/300</td> <td>0/1500</td> <td>0/10000</td> <td></td> <td></td> </tr> <tr> <td>30"/0/60</td> <td></td> <td>0/100</td> <td>0/400</td> <td>0/2000</td> <td>0/15000</td> <td></td> <td></td> </tr> <tr> <td>30"/0/100</td> <td></td> <td></td> <td></td> <td></td> <td></td> <td></td> <td></td> </tr> </table>	30"/0	30"/0/160	0/15	0/160	0/600	0/3000	0/20000		30"/0/15	30"/0/200	0/30	0/200	0/1000	0/5000			30"/0/30	30"/0/300	0/60	0/300	0/1500	0/10000			30"/0/60		0/100	0/400	0/2000	0/15000			30"/0/100							
30"/0	30"/0/160	0/15	0/160	0/600	0/3000	0/20000																																				
30"/0/15	30"/0/200	0/30	0/200	0/1000	0/5000																																					
30"/0/30	30"/0/300	0/60	0/300	0/1500	0/10000																																					
30"/0/60		0/100	0/400	0/2000	0/15000																																					
30"/0/100																																										
	kg/cm²	<table border="1"> <tr> <td>-1/0</td> <td>-1/9</td> <td>0/1</td> <td>0/10</td> <td>0/100</td> <td>0/1000</td> <td></td> <td></td> </tr> <tr> <td>-1/0.6</td> <td>-1/15</td> <td>0/1.6</td> <td>0/16</td> <td>0/160</td> <td></td> <td></td> <td></td> </tr> <tr> <td>-1/1.5</td> <td>-1/24</td> <td>0/2.5</td> <td>0/25</td> <td>0/250</td> <td></td> <td></td> <td></td> </tr> <tr> <td>-1/3</td> <td></td> <td>0/4</td> <td>0/40</td> <td>0/400</td> <td></td> <td></td> <td></td> </tr> <tr> <td>-1/5</td> <td></td> <td>0/6</td> <td>0/60</td> <td>0/600</td> <td></td> <td></td> <td></td> </tr> </table>	-1/0	-1/9	0/1	0/10	0/100	0/1000			-1/0.6	-1/15	0/1.6	0/16	0/160				-1/1.5	-1/24	0/2.5	0/25	0/250				-1/3		0/4	0/40	0/400				-1/5		0/6	0/60	0/600			
-1/0	-1/9	0/1	0/10	0/100	0/1000																																					
-1/0.6	-1/15	0/1.6	0/16	0/160																																						
-1/1.5	-1/24	0/2.5	0/25	0/250																																						
-1/3		0/4	0/40	0/400																																						
-1/5		0/6	0/60	0/600																																						

Continued on the following page

Continued from the previous page

Ordering Code P3S Series

Field No.	Code	Specifications																																																									
		<table border="1"> <thead> <tr> <th colspan="8">Range (XXXX)</th> </tr> <tr> <th colspan="8">Standard Ranges</th> </tr> </thead> <tbody> <tr> <td rowspan="5">kPa</td> <td>-100/0</td> <td>-100/900</td> <td></td> <td></td> <td>0/100</td> <td>0/1000</td> <td></td> <td></td> </tr> <tr> <td>-100/60</td> <td>-100/1500</td> <td></td> <td></td> <td>0/160</td> <td>0/1600</td> <td></td> <td></td> </tr> <tr> <td>-100/150</td> <td>-100/2400</td> <td></td> <td></td> <td>0/250</td> <td>0/2500</td> <td></td> <td></td> </tr> <tr> <td>-100/300</td> <td></td> <td></td> <td></td> <td>0/400</td> <td>0/4000</td> <td></td> <td></td> </tr> <tr> <td>-100/500</td> <td></td> <td></td> <td></td> <td>0/600</td> <td>0/6000</td> <td></td> <td></td> </tr> </tbody> </table>	Range (XXXX)								Standard Ranges								kPa	-100/0	-100/900			0/100	0/1000			-100/60	-100/1500			0/160	0/1600			-100/150	-100/2400			0/250	0/2500			-100/300				0/400	0/4000			-100/500				0/600	0/6000		
Range (XXXX)																																																											
Standard Ranges																																																											
kPa	-100/0	-100/900			0/100	0/1000																																																					
	-100/60	-100/1500			0/160	0/1600																																																					
	-100/150	-100/2400			0/250	0/2500																																																					
	-100/300				0/400	0/4000																																																					
	-100/500				0/600	0/6000																																																					
10.	SO	<table border="1"> <thead> <tr> <th colspan="2">Options</th> </tr> </thead> <tbody> <tr> <td>Calibration Certificate</td> <td></td> </tr> </tbody> </table>	Options		Calibration Certificate																																																						
Options																																																											
Calibration Certificate																																																											