

## Description & Features

- Highly accurate gauge, complete with calibration certificate traceable to NIST standards
- Mirrored anti-parallax dial
- Knife edge pointer
- Optional protective carrying and storage case
- Ranges from vacuum to 10000psi (700 bar)

## Applications

- Designed to be used where accuracy and repeatability are of prime importance
- Used in laboratories and instruments testing facilities

## Specifications

### Dial Size

6" (150mm) white aluminum dial with black markings, both dials have mirror band for precise instrument readings

### Pressure Range

Vacuum to 10000 psi (700bar)

### Case/Ring Material

304 stainless steel with bayonet bezel

### Lens Material

Tempered safety glass

### Pointer

Aluminum, anodized black, micrometer adjustable, knife-edge

### Bourdon Tube

316L stainless steel

### Welding

TIG

### Pressure Connection

1/4", 1/2" in NPT



### Protection

IP 55

### Working Pressure

Maximum 75% of full scale value

### Over-pressure

Standard 130% of full scale value

### Ambient/Process Temperature

-20°C to 65°C

### Calibration Conditions

20°C for ambient and process temperatures at atmospheric pressure

### Accuracy

±0.25% ANSI / ASME Grade 3A

### Options

Back connection with front flange (3 hole mounting)

Oxygen cleaning

Stainless steel tag number plate

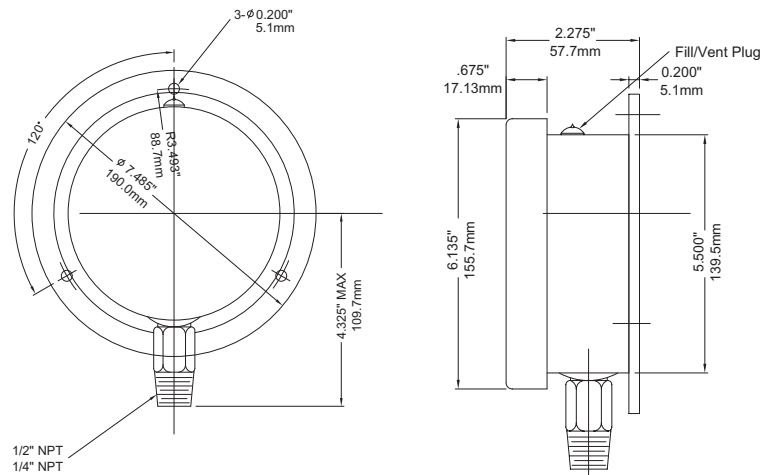
Calibration Certificate

## Order Information

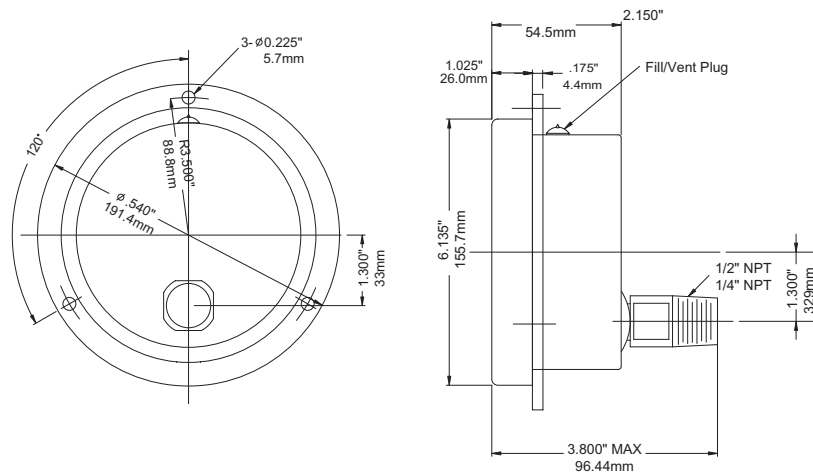
Series/ Dial Size/ Case Materials/ Wetted Parts/ Configuration/ Connection Size/ Thread/ Range/ Option

## Dimensions


6" Bottom with back flanged



6" Back connection with front flanged



## Ordering Code PTG Series

Field No.	Code	Specifications					
1.	PTG	Series					
<b>Dial Size</b>							
2.	60	6.0" (150mm)					
<b>Case Materials</b>							
3.	T	304 SS					
<b>Wetted Parts</b>							
4.	S	316 SS					
<b>Configuration</b>							
5.	A	Bottom connection, stem mounting					
	D	Back connection, stem mounting					
	B	Bottom connection, back flange, surface mounting					
	F	Back connection, wide front flange, (drilled) panel mounting					
							
<b>Connection</b>							
6.	4	1/4"					
	2	1/2"					
	Z	Special					
<b>Thread</b>							
7.	N	NPT					
8.	Z	Special					
<b>Range (XXXX)</b>							
<b>Standard Ranges</b>							
MPa	-0.1/0	-0.1/0.9	0/0.1	0/1	0/10		
	-0.1/0.06	-0.1/1.5	0/0.16	0/1.6	0/16		
	-0.1/0.15	-0.1/2.4	0/0.25	0/2.5	0/25		
	-0.1/0.3		0/0.4	0/4	0/40		
bar	-0.1/0.5		0/0.6	0/6	0/60		
	-1/0	-1/9			0/1	0/10	0/100
	-1/0.6	-1/15			0/1.6	0/16	0/160
	-1/1.5	-1/24			0/2.5	0/25	0/250
psi	-1/3				0/4	0/40	0/400
	-1/5				0/6	0/60	0/600
	30"/0	30"/0/150	0/15	0/160	0/800	0/3000	0/10000
	30"/0/15	30"/0/300	0/30	0/200	0/1000	0/4000	
kg/cm <sup>2</sup>	30"/0/30	0/3	0/60	0/300	0/1500	0/5000	
	30"/0/60	0/5	0/100	0/600	0/2000	0/6000	
	30"/0/100	0/10					
	-1/0	-1/9	0/1	0/10	0/100		
kPa	-1/0.6	-1/15	0/1.6	0/16	0/160		
	-1/1.5	-1/24	0/2.5	0/25	0/250		
	-1/3		0/4	0/40	0/400		
	-1/5		0/6	0/60	0/600		
	-100/0	-100/900			0/100	0/1000	
	-100/60	-100/1500			0/160	0/1600	
	-100/150	-100/2400			0/250	0/2500	
	-100/300				0/400	0/4000	
				0/600	0/6000		
<b>Options</b>							
9.	SL	Oxygen Cleaning					
	SM	Stainless steel tag number plate					
	SO	Calibration Certificate					