

## Description & Features

- Pulsation resistant, liquid filled stainless steel case
- 1.5", 2", 2.5", and 4" dials
- Brass or stainless steel internals
- Restricted orifice
- Crimp-on bezel
- U-Clamps and Front flanged for panel mounting

## Applications

- Ideal for Pumps, compressors, hydraulic presses, machinery, pneumatic equipment and motors in a harsh environment

## Specifications

**Standard**  
ASME B40

**Dial Size**  
1.5"(40mm), 2"(50mm), 2.5"(63mm), 4"(100mm), white aluminum

**Pressure Range**  
From vacuum to 0...15000 psi/Kpa

**Case Material**  
304 stainless steel

**Lens Materials**  
Polycarbonate standard

**Ring Material**  
304 stainless steel, Crimp-on

**Pointer**  
Aluminum black

**Bourdon Tube**  
Brass or 316 stainless steel

**Movement**  
Brass or stainless steel

**Socket Material**  
Brass or 316 stainless steel



**Connection**  
1/8", 1/4", 3/8", 1/2" in NPT, BSP, BSPT

**Protection**  
IP 65 (EN 60 529/IEC 529)  
IP 65 (EN 60 521/IEC 529)

**Working Pressure**  
Maximum 75% of full scale value

**Over-Pressure Limit**  
25% for pressures up to 1,400 psi (9,653 kPa),  
15% for pressures over 1,400 psi (9,653 kPa)

**Ambient / Process Temperature**  
-40°F to 200°F (-40°C to 93°C) dry  
-4°F to 150°F (-20°C to 65° ) glycerin filled

**Accuracy**  
Dial size 1.5"(40mm) and 2"(50mm):  
±2.5%  
Dial size 2.5"(63mm) and 4"(100mm):  
±1.6%

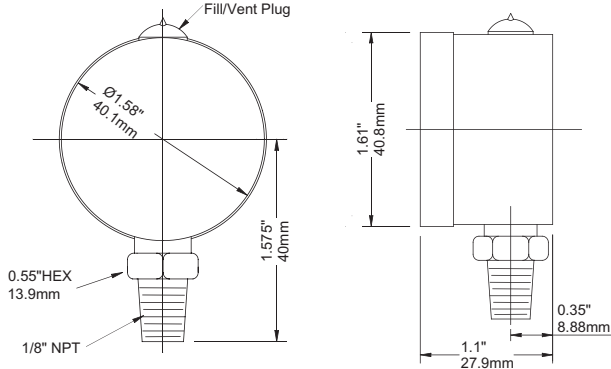
**Options**  
U-Clamp  
Front Flange  
Back Flange  
Filled Glycerine, Silicone  
Other connection sizes available upon request  
±1.0% accuracy for dial size 4"(100mm)

## Order Information

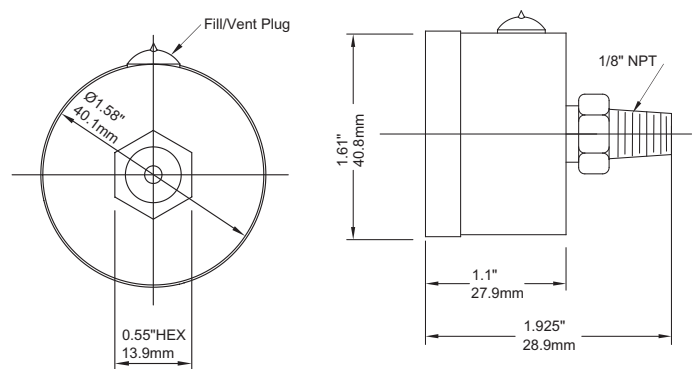
Series/ Dial Size/ Case Materials/ Wetted Parts/ Configuration/ Connection Size/ Thread/ Range/ Option

## Dimensions

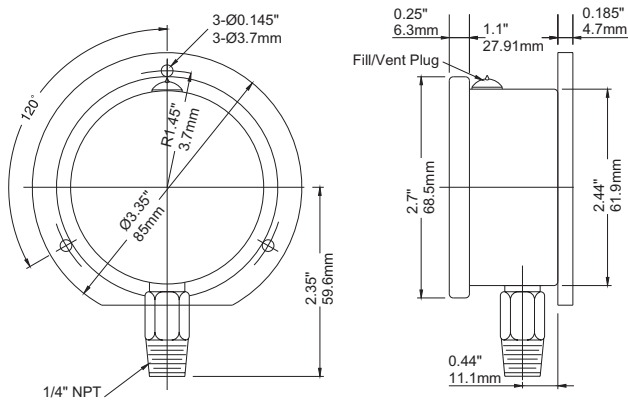
### 1.5" Bottom Connection



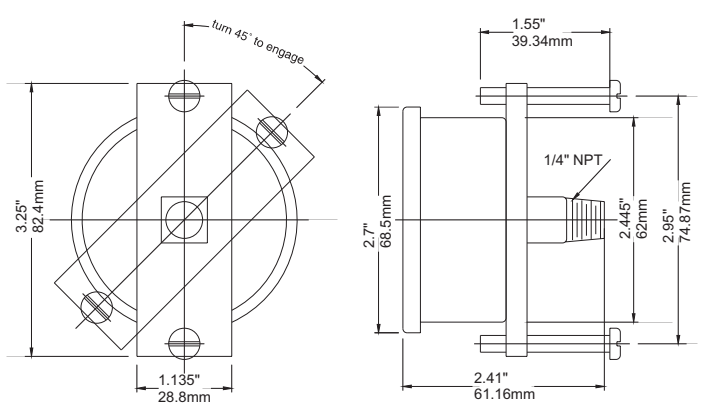
### 1.5" Centre Back Connection



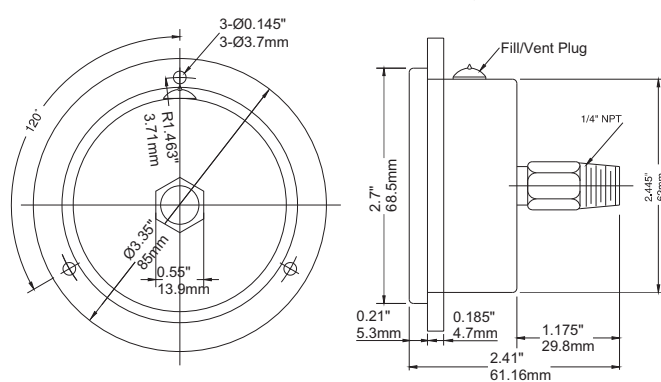
### 2.5" Bottom Connection with optional back flange



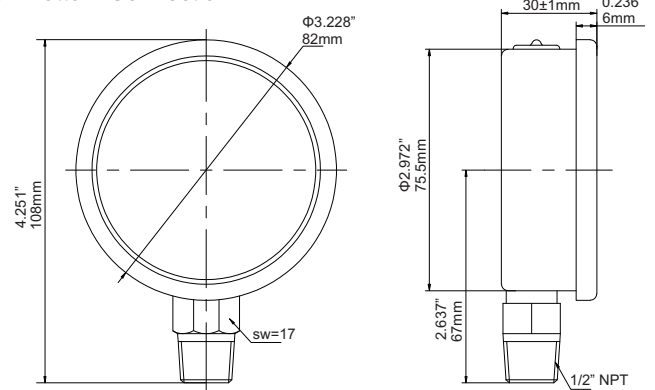
### 2.5" Centre Back Connection, U-Clamp



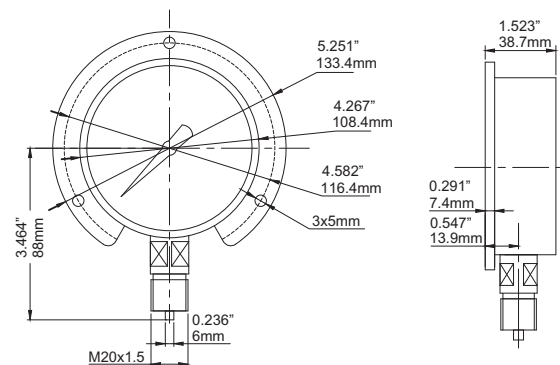
### 2.5" Back Connection with optional front flange



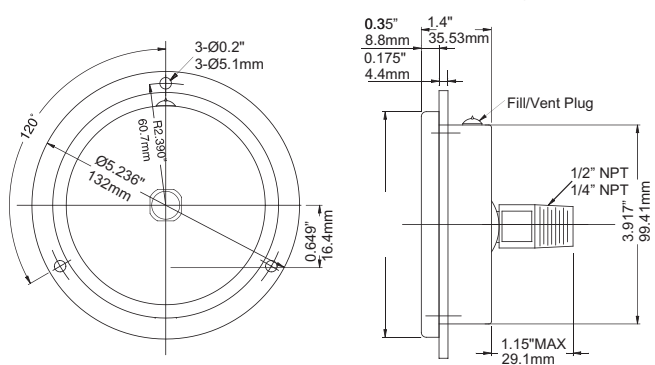
### 3" Bottom Connection



### 4" Bottom Connection with optional back flange



### 4" Centre Back Connection with optional front flange



## Ordering Code PFQ Series

Field No.	Code	Specifications																																								
1.	PFQ	Series																																								
2.		<b>Dial Size</b>																																								
	15	1.5" (40mm)																																								
	20	2.0" (50mm)																																								
	25	2.5" (63mm)																																								
	40	4.0" (100mm)																																								
3.	T	<b>Case Materials</b> 304 SS																																								
4.		<b>Wetted Parts</b>																																								
	S	316 SS																																								
	B	Brass																																								
	Z	Special																																								
5.		<b>Configuration</b>																																								
	A	Bottom connection, stem mounting																																								
	B	Bottom connection, back flange, surface mounting																																								
	D	Back connection, stem mounting																																								
	F	Back connection, wide front flange, (drilled) panel mounting																																								
	U	Back connection, wide front flange, (undrilled) panel mounting																																								
	Z	Special																																								
6.		<b>Connection</b>																																								
	4	1/4"																																								
	3	3/8"																																								
	2	1/2"																																								
	Z	Special																																								
7.		<b>Thread</b>																																								
	N	NPT																																								
	B	BSP (G)																																								
	T	BSPT (R)																																								
	F	M14X1.5																																								
	M	M20X1.5																																								
	Z	Special																																								
8.		<b>Range (XXXX)</b>																																								
		<b>Standard Ranges</b>																																								
	<b>MPa</b>	<table border="1"> <tr> <td>-0.1/0</td> <td>-0.1/0.9</td> <td>0/0.1</td> <td>0/1</td> <td>0/10</td> <td>0/100</td> <td></td> <td></td> </tr> <tr> <td>-0.1/0.06</td> <td>-0.1/1.5</td> <td>0/0.16</td> <td>0/1.6</td> <td>0/16</td> <td>0/160</td> <td></td> <td></td> </tr> <tr> <td>-0.1/0.15</td> <td>-0.1/2.4</td> <td>0/0.25</td> <td>0/2.5</td> <td>0/25</td> <td></td> <td></td> <td></td> </tr> <tr> <td>-0.1/0.3</td> <td></td> <td>0/0.4</td> <td>0/4</td> <td>0/40</td> <td></td> <td></td> <td></td> </tr> <tr> <td>-0.1/0.5</td> <td></td> <td>0/0.6</td> <td>0/6</td> <td>0/60</td> <td></td> <td></td> <td></td> </tr> </table>	-0.1/0	-0.1/0.9	0/0.1	0/1	0/10	0/100			-0.1/0.06	-0.1/1.5	0/0.16	0/1.6	0/16	0/160			-0.1/0.15	-0.1/2.4	0/0.25	0/2.5	0/25				-0.1/0.3		0/0.4	0/4	0/40				-0.1/0.5		0/0.6	0/6	0/60			
-0.1/0	-0.1/0.9	0/0.1	0/1	0/10	0/100																																					
-0.1/0.06	-0.1/1.5	0/0.16	0/1.6	0/16	0/160																																					
-0.1/0.15	-0.1/2.4	0/0.25	0/2.5	0/25																																						
-0.1/0.3		0/0.4	0/4	0/40																																						
-0.1/0.5		0/0.6	0/6	0/60																																						
	<b>bar</b>	<table border="1"> <tr> <td>-1/0</td> <td>-1/9</td> <td></td> <td></td> <td>0/1</td> <td>0/10</td> <td>0/100</td> <td>0/1000</td> </tr> <tr> <td>-1/0.6</td> <td>-1/15</td> <td></td> <td></td> <td>0/1.6</td> <td>0/16</td> <td>0/160</td> <td></td> </tr> <tr> <td>-1/1.5</td> <td>-1/24</td> <td></td> <td></td> <td>0/2.5</td> <td>0/25</td> <td>0/250</td> <td></td> </tr> <tr> <td>-1/3</td> <td></td> <td></td> <td></td> <td>0/4</td> <td>0/40</td> <td>0/400</td> <td></td> </tr> <tr> <td>-1/5</td> <td></td> <td></td> <td></td> <td>0/6</td> <td>0/60</td> <td>0/600</td> <td></td> </tr> </table>	-1/0	-1/9			0/1	0/10	0/100	0/1000	-1/0.6	-1/15			0/1.6	0/16	0/160		-1/1.5	-1/24			0/2.5	0/25	0/250		-1/3				0/4	0/40	0/400		-1/5				0/6	0/60	0/600	
-1/0	-1/9			0/1	0/10	0/100	0/1000																																			
-1/0.6	-1/15			0/1.6	0/16	0/160																																				
-1/1.5	-1/24			0/2.5	0/25	0/250																																				
-1/3				0/4	0/40	0/400																																				
-1/5				0/6	0/60	0/600																																				
	<b>psi</b>	<table border="1"> <tr> <td>30"/0</td> <td>30"/0/150</td> <td>0/15</td> <td>0/160</td> <td>0/800</td> <td>0/3000</td> <td>0/10000</td> <td></td> </tr> <tr> <td>30"/0/15</td> <td>30"/0/200</td> <td>0/30</td> <td>0/200</td> <td>0/1000</td> <td>0/4000</td> <td>0/15000</td> <td></td> </tr> <tr> <td>30"/0/30</td> <td>30"/0/300</td> <td>0/60</td> <td>0/300</td> <td>0/1500</td> <td>0/5000</td> <td></td> <td></td> </tr> <tr> <td>30"/0/60</td> <td></td> <td>0/100</td> <td>0/400</td> <td>0/2000</td> <td>0/6000</td> <td></td> <td></td> </tr> <tr> <td>30"/0/100</td> <td></td> <td></td> <td>0/600</td> <td></td> <td></td> <td></td> <td></td> </tr> </table>	30"/0	30"/0/150	0/15	0/160	0/800	0/3000	0/10000		30"/0/15	30"/0/200	0/30	0/200	0/1000	0/4000	0/15000		30"/0/30	30"/0/300	0/60	0/300	0/1500	0/5000			30"/0/60		0/100	0/400	0/2000	0/6000			30"/0/100			0/600				
30"/0	30"/0/150	0/15	0/160	0/800	0/3000	0/10000																																				
30"/0/15	30"/0/200	0/30	0/200	0/1000	0/4000	0/15000																																				
30"/0/30	30"/0/300	0/60	0/300	0/1500	0/5000																																					
30"/0/60		0/100	0/400	0/2000	0/6000																																					
30"/0/100			0/600																																							
	<b>kg/cm<sup>2</sup></b>	<table border="1"> <tr> <td>-1/0</td> <td>-1/9</td> <td>0/1</td> <td>0/10</td> <td>0/100</td> <td>0/1000</td> <td></td> <td></td> </tr> <tr> <td>-1/0.6</td> <td>-1/15</td> <td>0/1.6</td> <td>0/16</td> <td>0/160</td> <td></td> <td></td> <td></td> </tr> <tr> <td>-1/1.5</td> <td>-1/24</td> <td>0/2.5</td> <td>0/25</td> <td>0/250</td> <td></td> <td></td> <td></td> </tr> <tr> <td>-1/3</td> <td></td> <td>0/4</td> <td>0/40</td> <td>0/400</td> <td></td> <td></td> <td></td> </tr> <tr> <td>-1/5</td> <td></td> <td>0/6</td> <td>0/60</td> <td>0/600</td> <td></td> <td></td> <td></td> </tr> </table>	-1/0	-1/9	0/1	0/10	0/100	0/1000			-1/0.6	-1/15	0/1.6	0/16	0/160				-1/1.5	-1/24	0/2.5	0/25	0/250				-1/3		0/4	0/40	0/400				-1/5		0/6	0/60	0/600			
-1/0	-1/9	0/1	0/10	0/100	0/1000																																					
-1/0.6	-1/15	0/1.6	0/16	0/160																																						
-1/1.5	-1/24	0/2.5	0/25	0/250																																						
-1/3		0/4	0/40	0/400																																						
-1/5		0/6	0/60	0/600																																						
	<b>kPa</b>	<table border="1"> <tr> <td>-100/0</td> <td>-100/900</td> <td></td> <td></td> <td>0/100</td> <td>0/1000</td> <td></td> <td></td> </tr> <tr> <td>-100/60</td> <td>-100/1500</td> <td></td> <td></td> <td>0/160</td> <td>0/1600</td> <td></td> <td></td> </tr> <tr> <td>-100/150</td> <td>-100/2400</td> <td></td> <td></td> <td>0/250</td> <td>0/2500</td> <td></td> <td></td> </tr> <tr> <td>-100/300</td> <td></td> <td></td> <td></td> <td>0/400</td> <td>0/4000</td> <td></td> <td></td> </tr> <tr> <td>-100/500</td> <td></td> <td></td> <td></td> <td>0/600</td> <td>0/6000</td> <td></td> <td></td> </tr> </table>	-100/0	-100/900			0/100	0/1000			-100/60	-100/1500			0/160	0/1600			-100/150	-100/2400			0/250	0/2500			-100/300				0/400	0/4000			-100/500				0/600	0/6000		
-100/0	-100/900			0/100	0/1000																																					
-100/60	-100/1500			0/160	0/1600																																					
-100/150	-100/2400			0/250	0/2500																																					
-100/300				0/400	0/4000																																					
-100/500				0/600	0/6000																																					

Continued on the following page

Continued from the previous page

### Ordering Code PFQ Series

Field No.	Code	Specifications
9.		<b>Options</b>
	SE	Glycerin filled
	SD	Silicone filled
	SV	Acrylic lens
	SF	Glass lens
	SA	Safety glass
	SH	U-Clamp
	S9	±1.0% accuracy for dial size 4"
	SM	Stainless steel tag number plate
	SO	Calibration Certificate
	GH	Material Certificate
	DA	Safety glass + Front flange
	DB	Safety glass + Back flange
	DK	Safety glass + Glycerin filled
	DL	Safety glass + Silicone filled
	DH	Front flange + U-Clamp
	TA	Safety glass + Glycerin filled + Front flange
	TB	Safety glass + Silicone filled + Back flange
	TD	Safety glass + Glycerin filled + Blowout disk
	TC	Safety glass + Silicone filled + Blowout disk