

## Description & Features

- Widely specified in the industrial and commercial plumbing trade
- Includes separable thermowell
- 3.5" & 6" stem
- Organic filled tube (non-mercury)
- Triangular glass tube for high visibility
- Vari-angle connection & 360 degree case rotation for easy installation
- Graphite filled bulb chamber for maximum heat conduction
- $\pm 1\%$  ANSI/ASME Grade 1A

## Applications

- New construction, Plumbing, Water Lines, Boilers, Heating, Ventilation and Air Conditioning.

## Specifications

### Case

9"(230mm) Valox case, impact resistant

### Lens Material

Glass

### Scales

Aluminum painted white with black markings

### Accuracy

$\pm 1.0\%$

### Bulb Chamber

Tapered cast aluminum with graphite fill

### Process Connection

3/4" NPT with thermowell, standard  
1 1/4"-18 UNEF swivel nut without thermowell

### Liquid Filling

Organic liquid filled

### Adjustment

Fully adjustable

### Thermowell

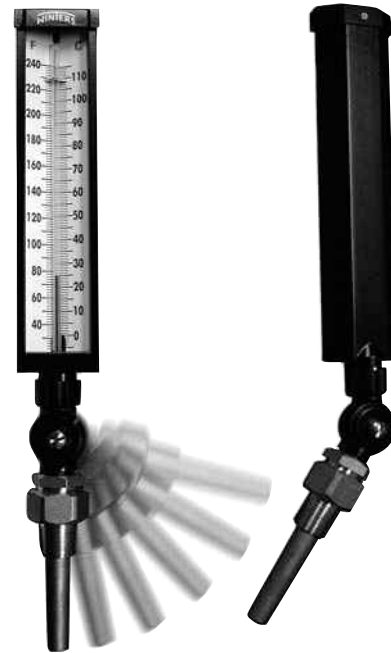
3/4" brass separable socket (SS option)

### Enclosure Rating

IP 54

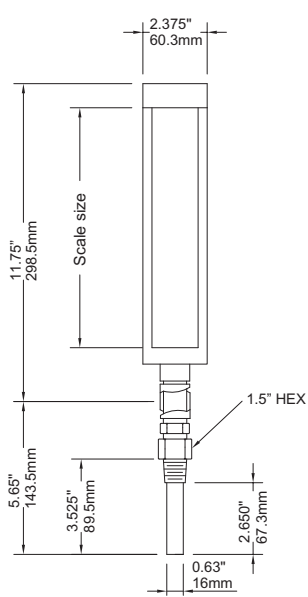
### Options

Duct flange  
Union connection  
Other ranges and connection sizes  
Stainless steel thermowell

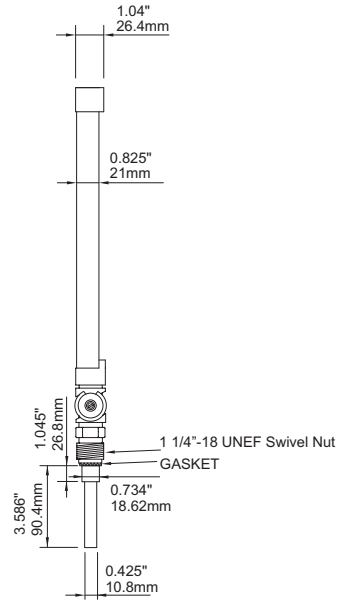


## Dimensions

### 3.5" Stem

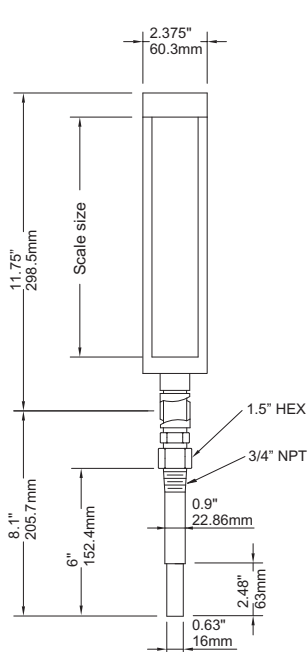


With socket

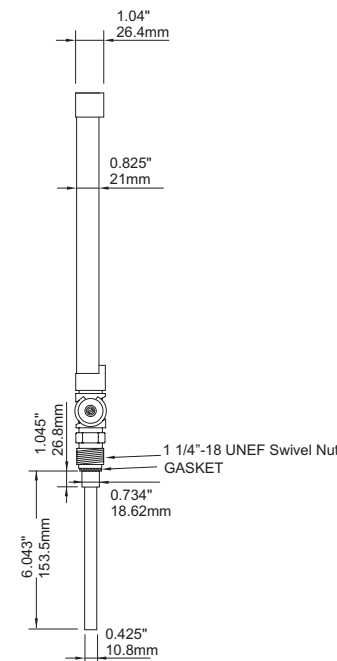


Without socket

### 6" Stem



With socket



Without socket

### Ordering Code TIM Series

Field No.	Code	Specifications
1.	TIM	Series
2.	I	Case Material Valox, standard
3.	0035	Stem Length 3.5"
	0060	6"
	ZZZZ	Special request
4.	B	Thermowell Material Brass, standard
	T	304 stainless steel
	S	316 stainless steel
	Z	Special request
5.	5N	Process Connection 3/4" NPT, standard
	1U	1 1/4"-18 UNEF swivel nut without thermowell
6.	B01	Range F & C (Dual) -40/110°F (-40/40°C)
	B02	0/120°F (-15/50°C)
	B03	0/160°F (-15/70°C)
	B04	30/180°F (0/80°C)
	B05	30/240°F (0/115°C)
	B06	30/ 300°F (0/150°C)