

Description & Features

- A durable and accurate thermometer with a rigid connection
- Separable well
- Rugged steel case
- Bi-Metallic element
- Dual scale °F/°C
- Back or bottom connection

Applications

- Hot Water Lines, Boilers & Hydronic Heating

Specifications

Dial Size

4"(100mm) aluminum with black markings

Case

Steel

Lens Material

Glass

Ring

Steel chrome plated

Pointer

Aluminum, painted black

Stem Material

304 stainless steel

Thermowell

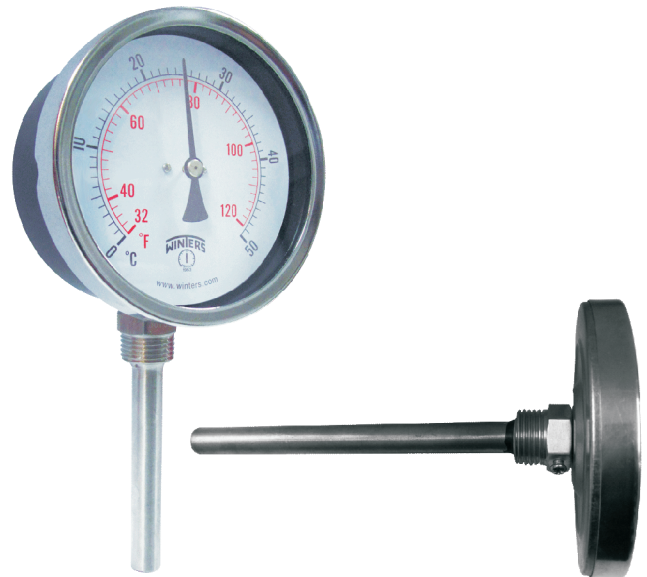
1/2"NPT(standard), separable
304 stainless steel, 316 stainless steel

Recalibrator

Standard

Movement

Bi-metallic coil



Ambient Temperature

-22°F to 158°F (-30°C to 70°C)

Process Temperature

-22°F to 250°F (-30°C to 120°C)

Over Range Enclosure Rating

25% of full scale value

Enclosure Rating

IP 50

Reset

Standard

Accuracy

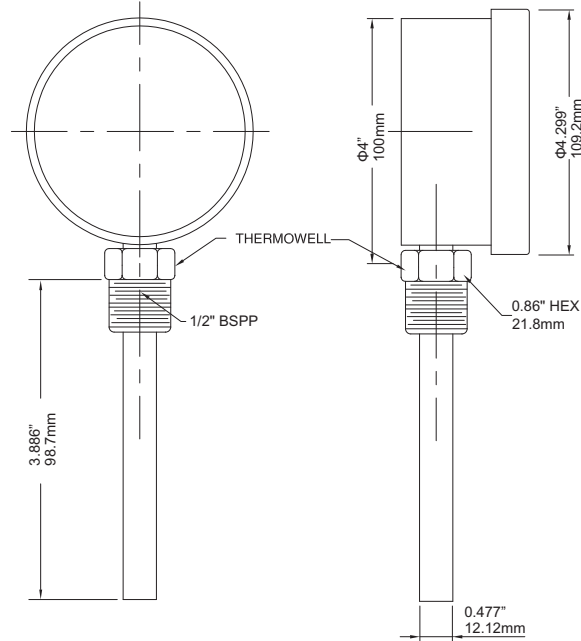
±2.0% of full scale

Options

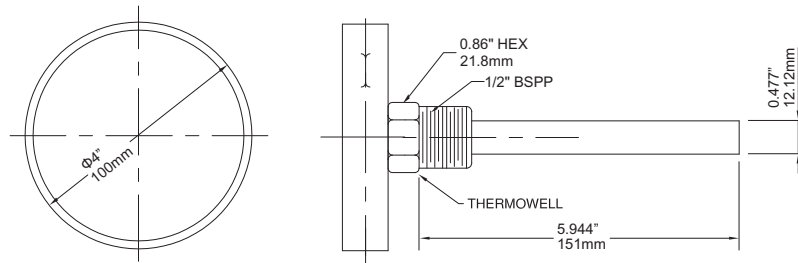
316 stainless steel thermowell

Dimensions

4" Bottom Connection



4" Back Connection



Ordering Code TBT Series

Field No.	Code	Specifications
1.	TBT	Series
		Dial Size
2.	40	4" (100mm)
		Configuration
3.	A	Bottom
	D	Centre Back
		Stem Length
4.	0025	2.5" (Excluded range 0...50 °C with bottom connection)
	0040	4"
	0060	6"
	0080	8"
		Thermowell Material
5.	T	304 stainless steel, standard
	S	316 stainless steel
		Process Connection Size
6.	2	1/2"
	Z	Special request
		Process Connection Thread
7.	N	NPT
	G	G
	P	BSPP
		Range
8.	B01	-30...50 °C / -20...120°F
	B02	0/100 °C/°F
	B03	0/120 °C/°F
	B04	0/50 °C/°F