

### Specific&Performance

- Sensor Range: -200...850°C
- Various cable head are available
- CSA approval
- LED/LCD display is available

### Application

- Petro chemical
- Ship building
- Machine building
- Energy and power plant technology



BS



DD

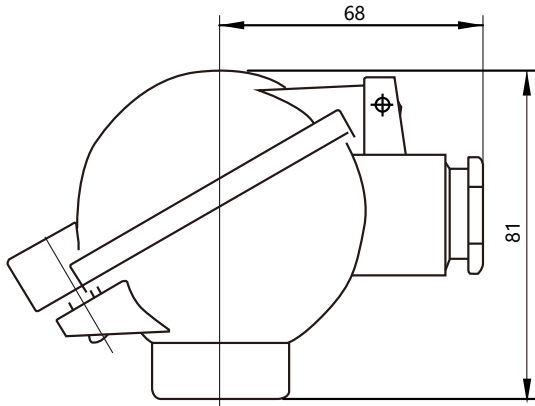
### Specification

Temperature sensor	Pt100 or Pt1000		
Sensor accuracy	Class B	$\pm (0.3+0.005*t) \text{ } ^\circ\text{C}$	
	Class A	$\pm (0.15+0.002*t) \text{ } ^\circ\text{C}$	
	Class 1/3B	$\pm 1/3* (0.3+0.005*t) \text{ } ^\circ\text{C}$	
Sensor quantity	single or dual		
Connction wire	2-wire, 3-wire or 4-wire		
Output singæ	Pt100, Pt1000 or 4-20mA(with transmitter)		
Stem diameter D	6mm		
Stem length EL	from 50mm to 1000mm		
Stem material	316SS or 316LSS		
Process connection	G1/2", M20*1.5, 1/2"NPT		
Neck diameter M	14mm		
Digital display	Please refer our TTID data		
Cable head	Pleare refer the cable head data		
Explosion proof	Exd IICT6(norminal), Exia IICT6(available)		
Temperature transmitter	RTD input: TTIR	Universal input: TTIS	with HART protocol: TTHA
IP protection	IP65 or IP67 (Depends on cable head)		

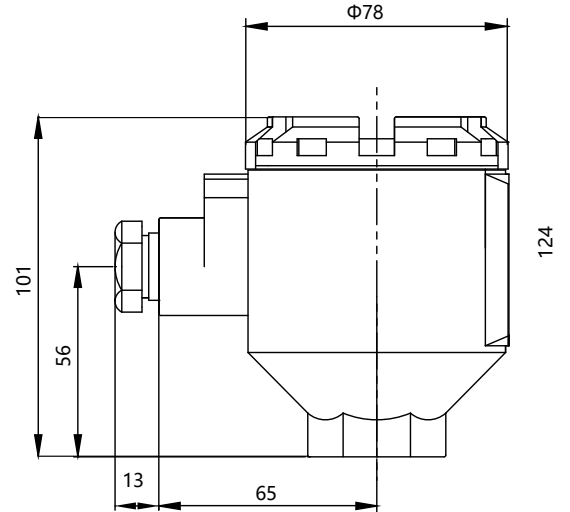
### Cable head

Ordering code	Material	Cable connection	IP protection	Display unit
BS	cast aluminium	one M20*1.5	IP65	No
JM	cast aluminium	one M16*1.5	IP65	No
BH	cast aluminium	one M20*1.5	IP65	No
EX	cast aluminium	one M20*1.5	IP67	No
DX	cast aluminium	one M20*1.5	IP67	Available
DD	cast aluminium	two M20*1.5	IP67	Available

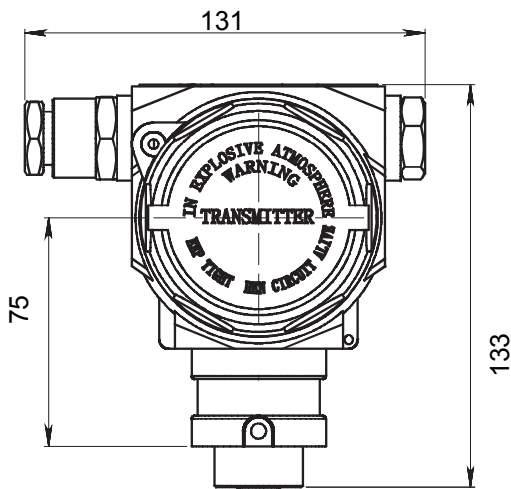
### Dimension of terminal head (mm)



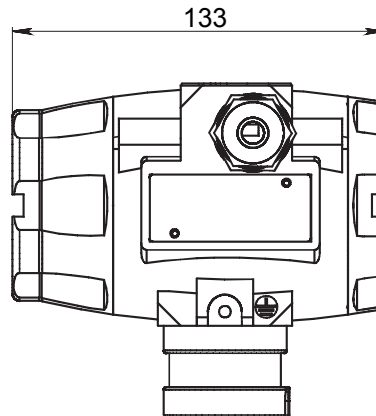
BS connection head



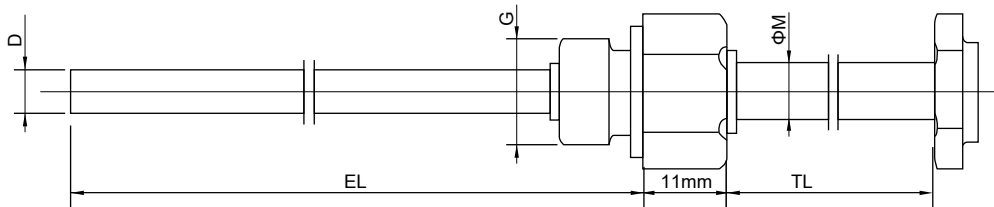
EX connection head



DD connection head



### Stem dimension



TER ordering code			
	Code	Specification	
1.	<input type="text"/>	TER	Series
			Connection head
2.	<input type="text"/>	BS	DIN form B type
		JM	J type (mini)
		BH	High housing
		EX	Explosion proof (Exd IIC T6)
		DX	Explosion proof, display available
		DD	Two cable connection
			Display type
3.	<input type="text"/>	0	Without
		E	With (Only head code "DX" and "DD" could select)
			Sensor type
4.	<input type="text"/>	12	1*Pt100 2-wire
		13	1*Pt100 3-wire
		14	1*Pt100 4-wire
		22	2*Pt100 2-wire
		23	2*Pt100 3-wire
		24	2*Pt100 4-wire
			Sensor accuracy (DIN EN60751)
5.	<input type="text"/>	1	Class B
		2	Class A
		3	Class 1/3B
			Neck length TL*M(mm)
6.	<input type="text"/>	000	Without
		050	50*12
		075	75*12
		100	100*14
		125	125*14
		150	150*14
			Stem length EL (mm)
7.	<input type="text"/>	050	50
		100	100
		150	150
		200	200
		250	250
		XXX	length without mm unit
		999	1000
			Stem diameter D (mm)
8.	<input type="text"/>	6	6
		8	8
			Stem material
9.	<input type="text"/>	T	304SS
		S	316SS
		L	316LSS

TER ordering code

		Code	Specification
<b>Thread connection type</b>			
10.	<input type="text"/>	0	Without thread
		1	Fixed thread
		2	Slide union
<b>Process connection</b>			
11.	<input type="text"/>	00	Without thread
		ZM	M20*1.5
		2G	G1/2"
		4G	G1/4"
		2N	1/2"NPT
		4N	1/4"NPT
<b>Electrical terminal</b>			
12.	<input type="text"/>	0	Flying leads
		1	Ceramic terminal block
		2	With temperature transmitter (Please refer related transmitter datasheet)
<b>Explosive proof</b>			
13.	<input type="text"/>	XPS0	Without
		XPS3	Exd IICT6 (Only head code"EX", "DX" and "DD" could select)
		XPS2	Ex ia IICT6