

## Description & Features

- Versatile, inert gas and vapor remote thermometers
- Stainless steel capillary and bulbs
- Range between -50 and 650°C

## Applications

- Petrochemical, oil and gas processing
- Medical and pharmaceutical industries
- Dairy processing
- Food and beverage processing
- Power generating stations
- Offshore oil platforms
- Pulp and paper mills
- Waste water treatment
- Marine industries
- Military
- Industrial OEM equipments

## Specifications

### Dial Size

4" (100mm) or 6" (150mm)

### Temperature Range

-50°C...+650°C

### Case / Ring Material

304 stainless steel

### Lens Material

Tempered safety glass

### Pointer

Anodized aluminum with black finish, adjust-pointer on request

### Connection

1/2", standard, NPT, BSP, BSPT, G,  
and M20\*1.5 available

Swivel Male nut

Sliding Male nut

Sliding Female nut

Swivel Female nut

### Mounting

Bottom connection,back flange,surface mounting

Back connection,back flange,surface mounting

Back connection,front flange, panel mounting

Back connection,U-clamp,flush panel mounting

Rigid(stem,local)

Adjust-angle(stem,local)



### Bulb Material

304 stainless steel standard, 316 stainless steel on request

### Bulb Diameter

12mm standard, 8mm, 10mm, 13mm,16mm

### Bulb length

150mm standard, 100mm, 300mm, 500mm

### Capillary and Armour

304 stainless steel standard, Capillary with armour

### Capillary length

3m standard, 1m, 5m, 10m

### Protection

IP 55, IP 65 on request

### Accuracy

±1.5% of span

### Options

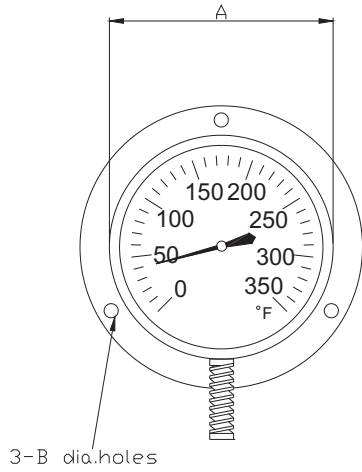
Electrical alarm contact

Maximum pointer

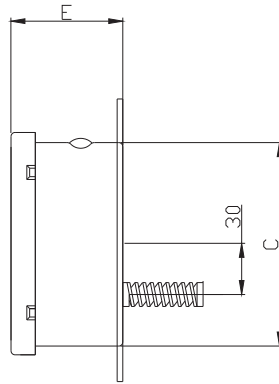
Maximum and minimum pointer

# TRR Remote Reading Thermometer

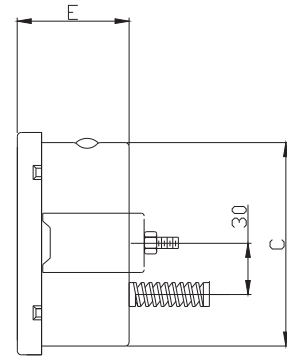
## Dimensions



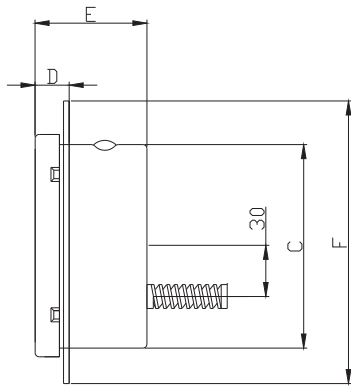
Model TRR-B



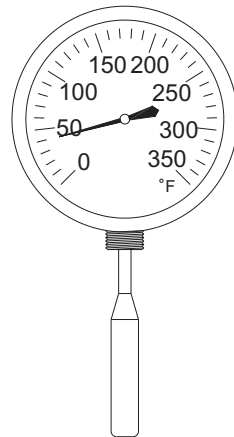
Model TRR-E



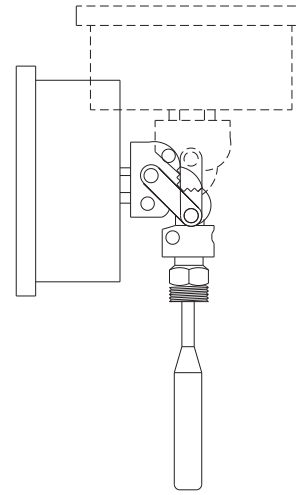
Model TRR-U



Model TRR-F



Model TRR-R

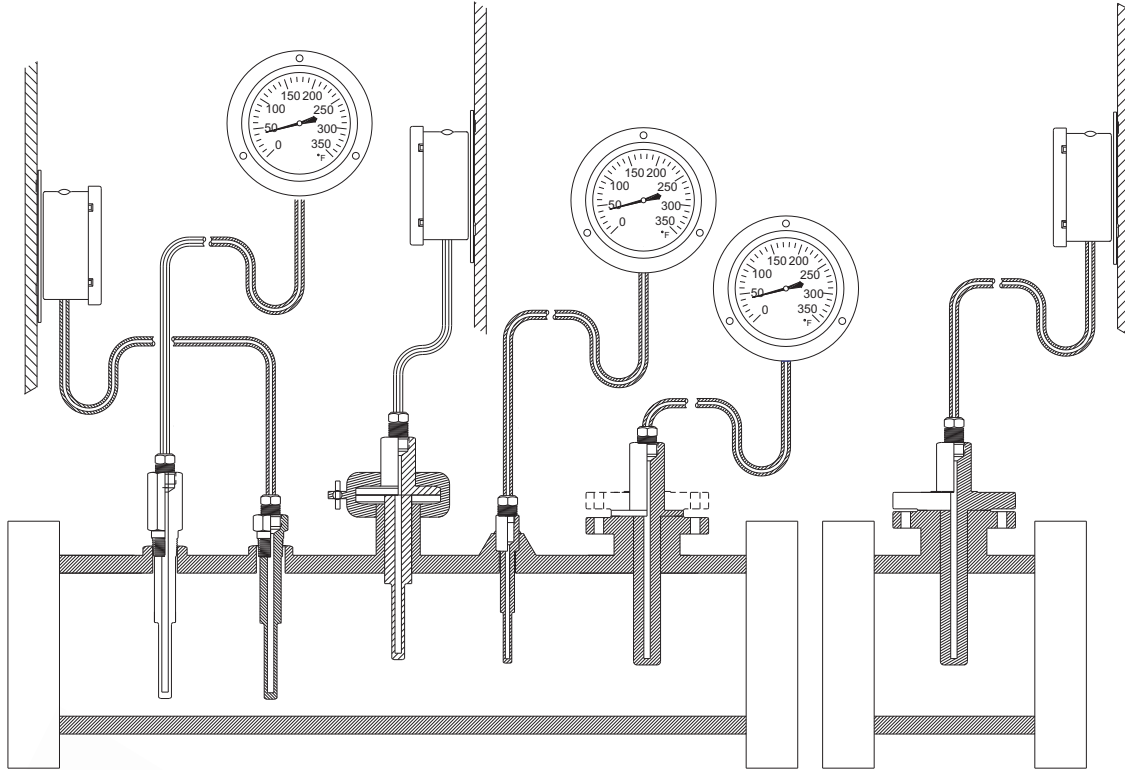


Model TRR-H

SIZE	A	B	C	D	E	F
4"(100mm)	4.65" (118mm)	0.24" (6mm)	4.25" (108mm)	0.87" (22mm)	1.77" (45mm)	5.47" (139mm)
6"(150mm)	6.26" (159mm)	0.24" (6mm)	5.91" (150mm)	0.71" (18mm)	1.77" (45mm)	7.72" (196mm)

# TRR Remote Reading Thermometer

## Thermowell



## Electrical Wiring Contact



Gland Cable



DIN Connector



Terminal

### Ordering Code TRR Series

Field No.	Code	Specifications
1.	TRR	Series
2.		<b>Case and Connection</b>
	B	Bottom connection,back flange,surface mounting
	E	Back connection,back flange,surface mounting
	F	Back connection,front flange, panel mounting
	U	Back connection,U-clamp,flush panel mounting
	R	Rigid(stem,local)
	H	Adjust-angle(stem,local)
3.		<b>Dial Size</b>
	40	4" (100mm)
	60	6" (150mm)
4.		<b>Case Material</b>
	T	304 stainless steel
5.		<b>Connection Size</b>
	2	1/2"
	Z	Special request
6.		<b>Thread</b>
	N	NPT
	B	BSP
	T	BSPT
	G	G
	M	M20 x 1.5
	Z	Special request
7.		<b>Nut type</b>
	SM	Swivel Male
	UM	Sliding Male
	UF	Sliding Female
	SF	Swivel Female
8.		<b>Bulb Type and Material</b>
	T	304 SS, standard
	S	316 SS
9.		<b>Bulb Diameter</b>
	12	12mm, standard
	08	8 mm
	10	10mm
	13	13mm
	16	16mm
	ZZ	Special request
10.		<b>Bulb Length</b>
	150	150mm, standard
	100	100mm
	300	300mm
	500	500mm
	ZZZ	Special request
11.		<b>Capillary Material and Protection</b>
	TA	304 stainless steel, standard with armour
	ZZ	Special request
12.		<b>Capillary Length</b>
	03	3m, standard
	01	1m
	05	5m
	10	10m
	ZZ	Special request

### Ordering Code TRR Series

Field No.	Code	Specifications					
12.		<b>Range</b>					
		<b>Single Scale°F</b>					
		-100/+100°F	F01	-50/+100°C	C01	-50/+100°C&-58/+212°F	D01
		-80/+120°F	F02	-50/+50°C	C02	-50/+50°C&-58/+122°F	D02
		-40/+160°F	F03	-20/+120°C	C03	-20/+120°C&-4/+248°F	D03
		-20/+120°F	F04	-20/+80°C	C04	-20/+80°C&-4/+176°F	D04
		0/+200°F	F05	-20/+40°C	C05	-20/+40°C&-4/+104°F	D05
		0/+250°F	F06	0/+50°C	C06	0/+50°C&32/+122°F	D06
		50/300°F	F07	0/+60°C	C07	0/+60°C&32/+140°F	D07
		50/400°F	F08	0/+80°C	C08	0/+80°C&32/+176°F	D08
		50/500°F	F09	0/+100°C	C09	0/+100°C&32/+212°F	D09
		50/550°F	F10	0/+120°C	C10	0/+120°C&32/+248°F	D10
		150/750°F	F11	0/+150°C	C11	0/+150°C&32/+302°F	D11
		100/800°F	F12	0/+200°C	C12	0/+200°C&32/+392°F	D12
		200/10000°F	F13	0/+250°C	C13	0/+250°C&32/+482°F	D13
				0/+300°C	C14	0/+300°C&32/+572°F	D14
				0/+400°C	C15	0/+400°C&32/+752°F	D15
				0/+450°C	C16	0/+450°C&32/+842°F	D16
				0/+500°C	C17	0/+500°C&32/+932°F	D17
				0/+600°C	C18	100/+550°C&212/+1022°F	D18
				100/+550°C	C19	0/+600°C&32/+1112°F	D19
				100/+650°C	C20	100/+650°C&32/+1202°F	D20
		13.		<b>Options</b>			
EC	Electrical alarm contact						
SJ	Maximum pointer						
		MJ	Maximum and minimum pointer				